



PARTS LIST

# 零件书

机型 (MODEL) : FT-1201



浙江合和机电有限公司

Zhangjiang HEHE Electromechanical Co., Ltd.

地址：浙江省诸暨市枫桥镇择树下村1150号

add: No. 1150, ZeShuXia, FengQiao, Zhuji, Zhejiang, China

电话 (Tel): 0086-0575-8718 1065

传真 (Fax): 0086-0575-87181066

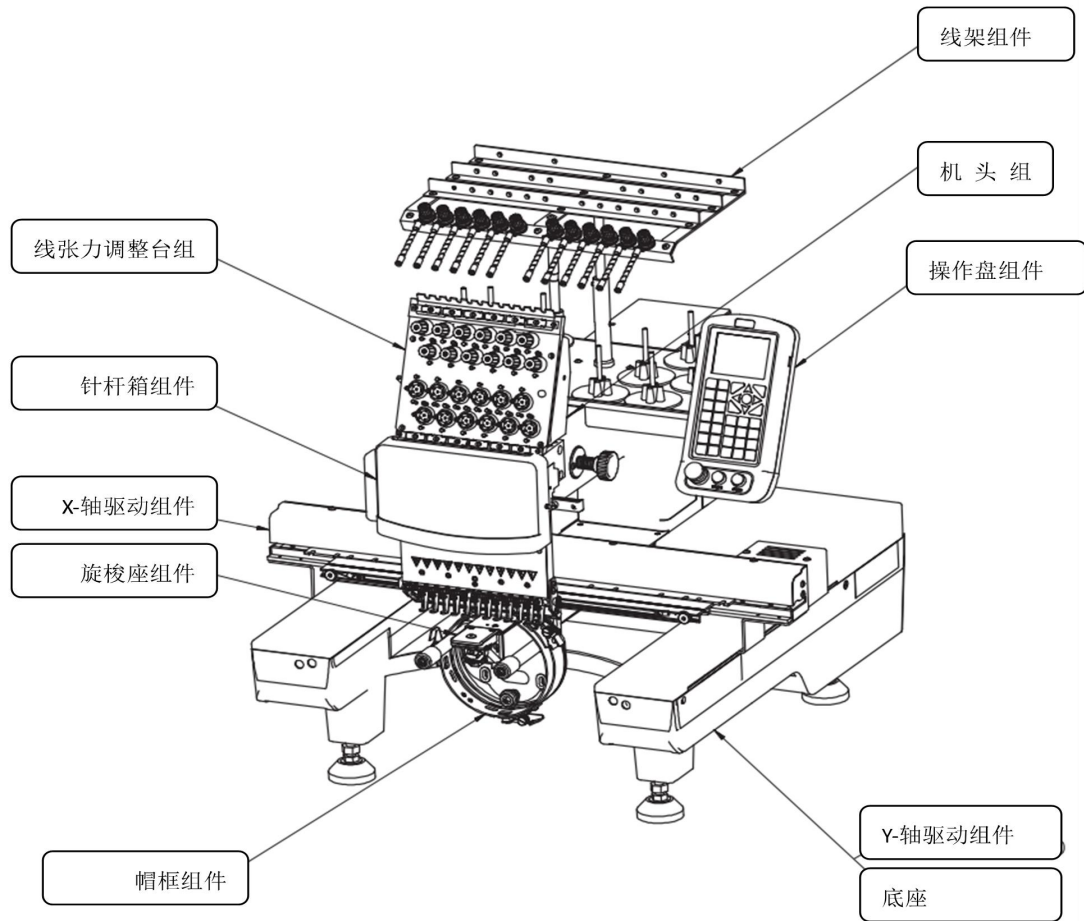
邮箱 (E-mail): info@fortever.com.cn

网址 (www): www.fortever.com.cn

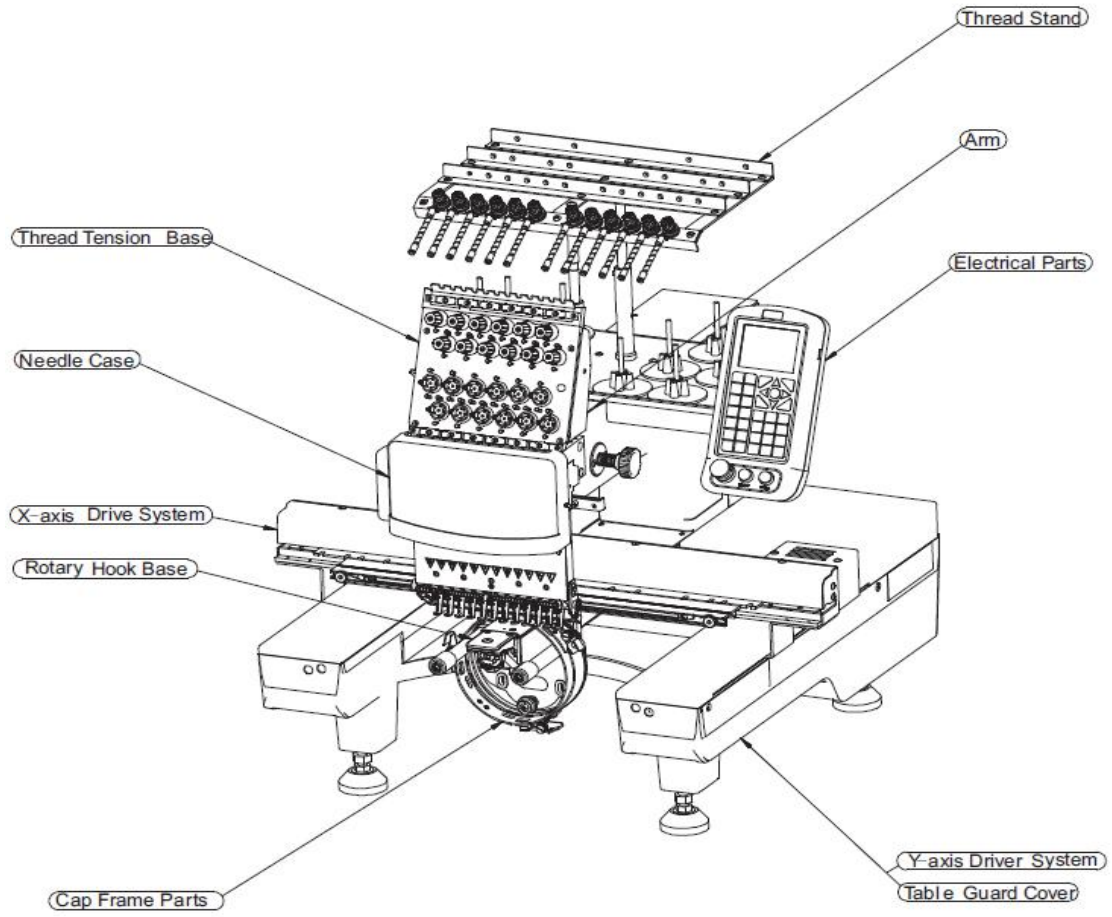
Index		目录	
Item	名称	Description	页码
00	封面	Cover	1
00	机器主视图	Genetal View	2
01	台板及覆盖件	Table & Guard Cover	3
02	旋梭箱组件	Rotary Hook Base	5
03	剪线部分	Trimming Parts	7
04	机头	Arm	9
05	针杆箱部分	Needle Bar Driving Parts	11
06	跳跃及勾线部分	Upper Thread Hook	13
07	换色系统	Color Change System	15
08	针杆箱组件	Needle Case A	17
09	针杆箱组件B-1	Needle Case B-1	19
09	针杆箱组件B-2	Needle Case B-2	21
10	X驱动组件	X-axis Drive System	23
11	Y驱动组件	Y-axisDrive System	25
12	调整台组件	Thread Tension Base	27
13	线架组件	Thread Stand	29
14	底架	Stand	31
15	电器部分	Electrical Parts	33
16	花架	Embroidery Frame	35
17	帽驱动组件	Cap Frame parts	37
18	帽圈组件	Cap Stand Frame	39
19	帽座组件	Cap Stand Frame	41
20	加宽驱动组件	X-axis Widened Drive System (Option Device)	43
21	大框架及台板	Embroidery Frame (Optional Device)	45

说明：本图册仅供参考，如有出入请以以机器实际装配为准。

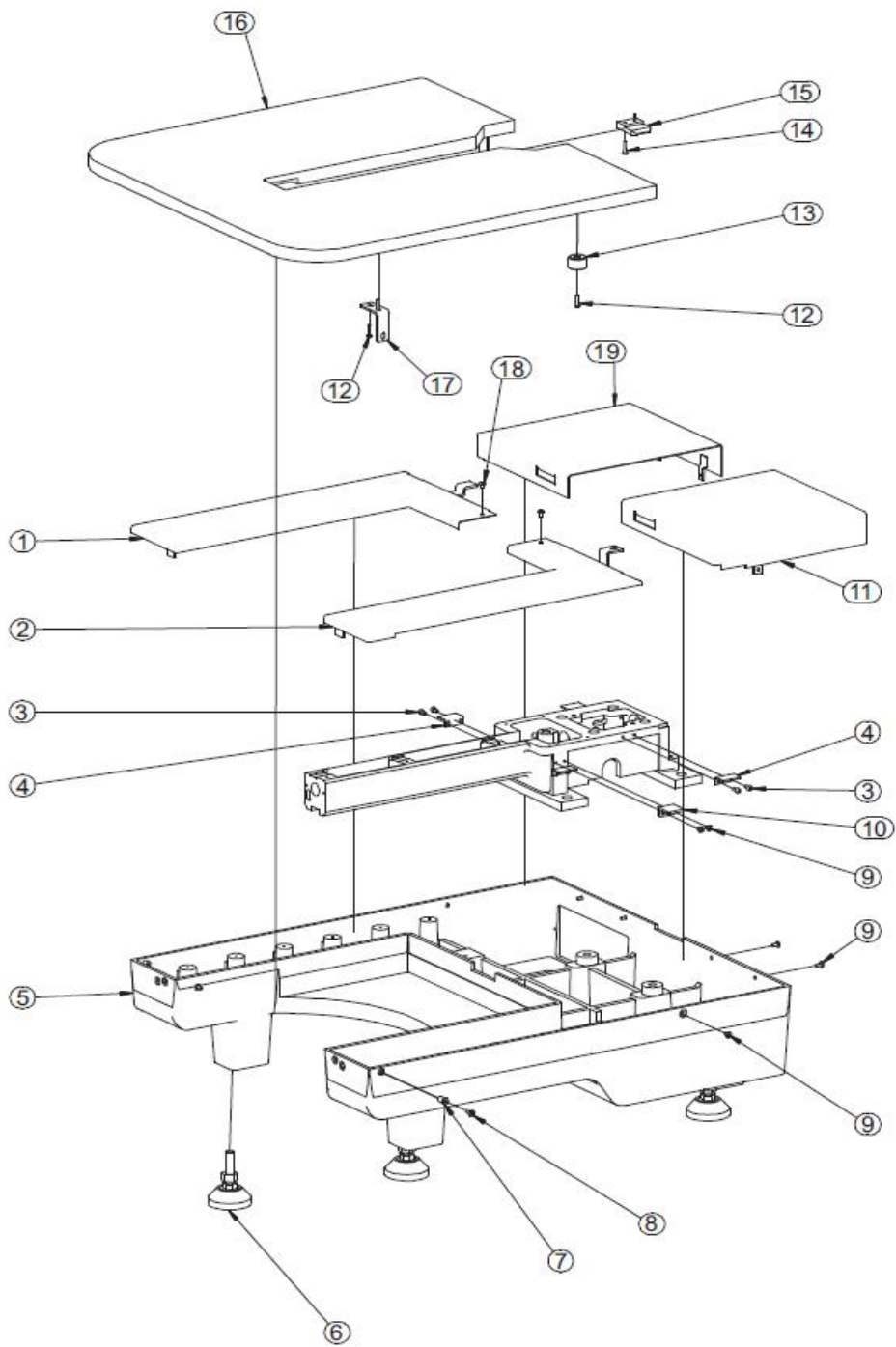
# 机器主视图



Genetal View



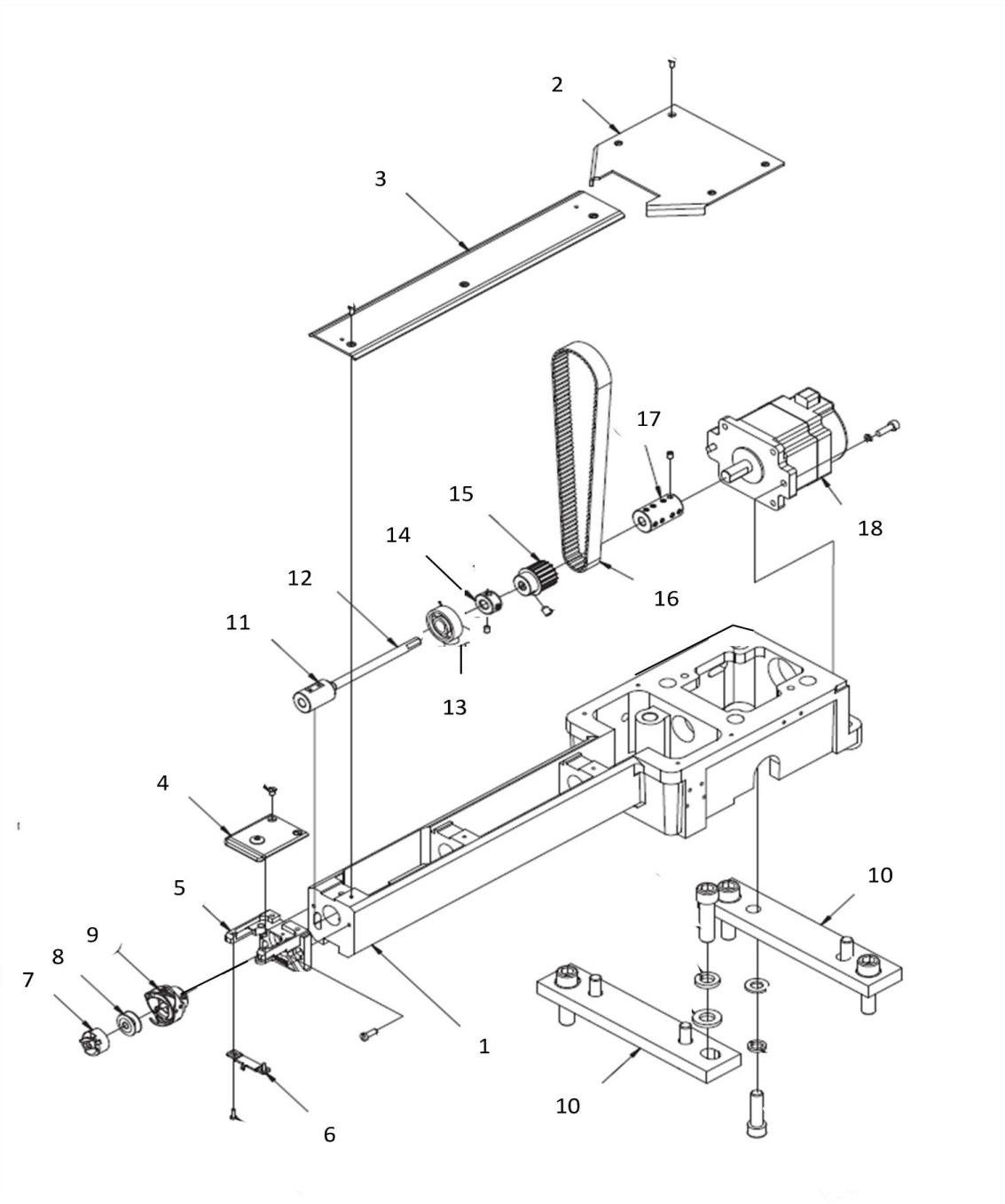
01. Table & Guard Cover (台板及覆盖件)



## 01. Table &amp; Guard Cover

## 台板及覆盖件

序号	零件编号(P/N)	零件名称	Description	标准用量	备注
1	105110004	左前盖(大)	Cover front L	1	
	105110005	左前盖(235*445)	Cover front L		
	105110006	左前盖(小)	Cover front L		
2	105110007	右前盖(大)	Cover front R	1	
	105110008	右前盖(235*445)	Cover front R		
	105110009	右前盖(小)	Cover front R		
3	201160408-3	十字槽扁圆头螺丝M4*8	Truss head screw M4*6	4	
4	105110017	机座后罩壳上支撑	Cover bracket	2	
5	105110001	底座(850*920)	Base	1	
	105110002	底座(600*770)	Base		
	105110003	底座(600*700)	Base		
6	305110002	调整支撑螺栓	Adjustment support arm	4	
7	105110016	台板支撑固螺母	Bolt for table support	2	
8	201020406-1	内六角平端紧定螺钉M4*6	Hexagon socket head screw M4*6	2	
9	201160408-3	十字槽扁头螺钉M4*8	Truss head screw M4x8	14	
10	105110017	罩盖支架	Cover bracket	2	
11	105110010	右后盖(大)	Cover rear R	1	
	105110011	右后盖(中)	Cover rear R		
	105110012	右后盖(小)	Cover rear R		
12	201670416-2	自攻螺丝M4*16	Pan head tapping screw M4*16	4	
13	105110018	台板圆垫 $\varnothing$ 24	Table cushion	4	
14	201673520-2	自攻螺丝M3.5*20	Pan head tapping screw M3.5*20	4	
15	105110019	台板背面固定块(42.4*32.5*9.8)	Table back block	2	
16	105130003	台板(350*500)	Flatbed embroidery table	1	
	105130004	台板(400*600)	Flatbed embroidery table		
	105130005	台板(500*800)	Flatbed embroidery table		
	105130006	台板(500*1200)	Flatbed embroidery table		
	105130008	台板(500*1500)	Flatbed embroidery table		
17	105110020	台板支撑固定块	Support board	2	
18	201160408-3	十字槽扁圆头螺丝M4*8	Truss head screw M4*8	2	
19	105110013	左后盖(大)	Cover rear L	1	
	105110014	左后盖(中)	Cover rear L		
	105110015	左后盖(小)	Cover rear L		

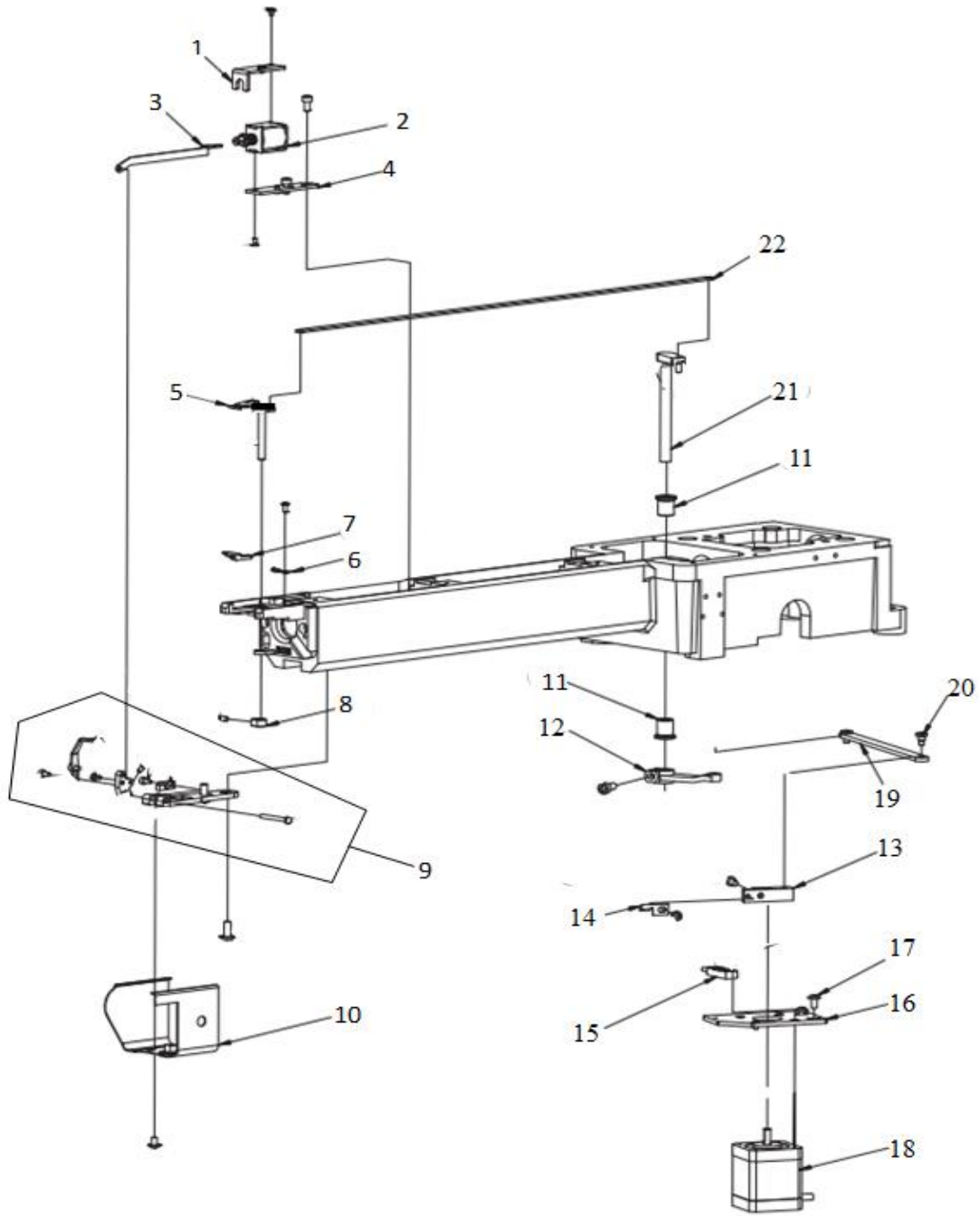


## 02. Rotary Hook Base

## 旋梭箱组件

序号	零件编号(P/N)	零件名称	Description	标准用量	备注
2.1	105030001	马头机梭床(大)	Rotary hook base	1	
	105030002	马头机梭床(大)	Rotary hook base		
	105030003	马头机梭床(大)	Rotary hook base		
2.2	105110022	梭箱后盖(大)(150*132)	Back cover	1	
	105110021	梭箱后盖(小)	Back cover		
2.3	105030007	梭床中盖(大)	Cover	1	
	105030008	梭床中盖(中)	Cover		
	105030009	梭床中盖(小)(317*55*1.8)	Cover		
2.4	211110004	针板(平绣针板)	Needle plate	1	
	211110003	针板(帽绣针板)	Needle plate	1	
2.5	305030001	针板座组件	Needle plate base	1	
2.6	103030007	旋梭定位勾	Rotary position hook	1	
2.7	211010001	梭芯	Bobbin	1	
2.8	211020001	梭壳	Bobbin case	1	
2.9	211030001	旋梭	Rotary hook	1	
2.10	105030010	后支架(中小机器用)	Rear bracket	2	
2.11	105030011	粉末套(D2d7.94L28)	Bearing collar	1	
2.12	105030012	轴(D7.94*470)	Lower shaft	1	
	105030013	轴(D7.94*545)	Lower shaft		
	105030014	轴(D7.94*728)	Lower shaft		
2.13	202010014	轴承6201	Bearing 6201	1	
2.14	105030017	轴承套6201(D20d7.94L22.5)	Baffle	1	
2.15	105030015	主轴皮带轮(小)(S5M-16齿-d7.94)	Timing pulley	1	
2.16	204030008	马头机主皮带(S5M-525-15胶带)	Timing belt	1	
2.17	105030018	关节套	Bearing collar	1	
2.18	206017004	伺服马达(70SF3A60-230-10000Z-06)	Servo motor	1	

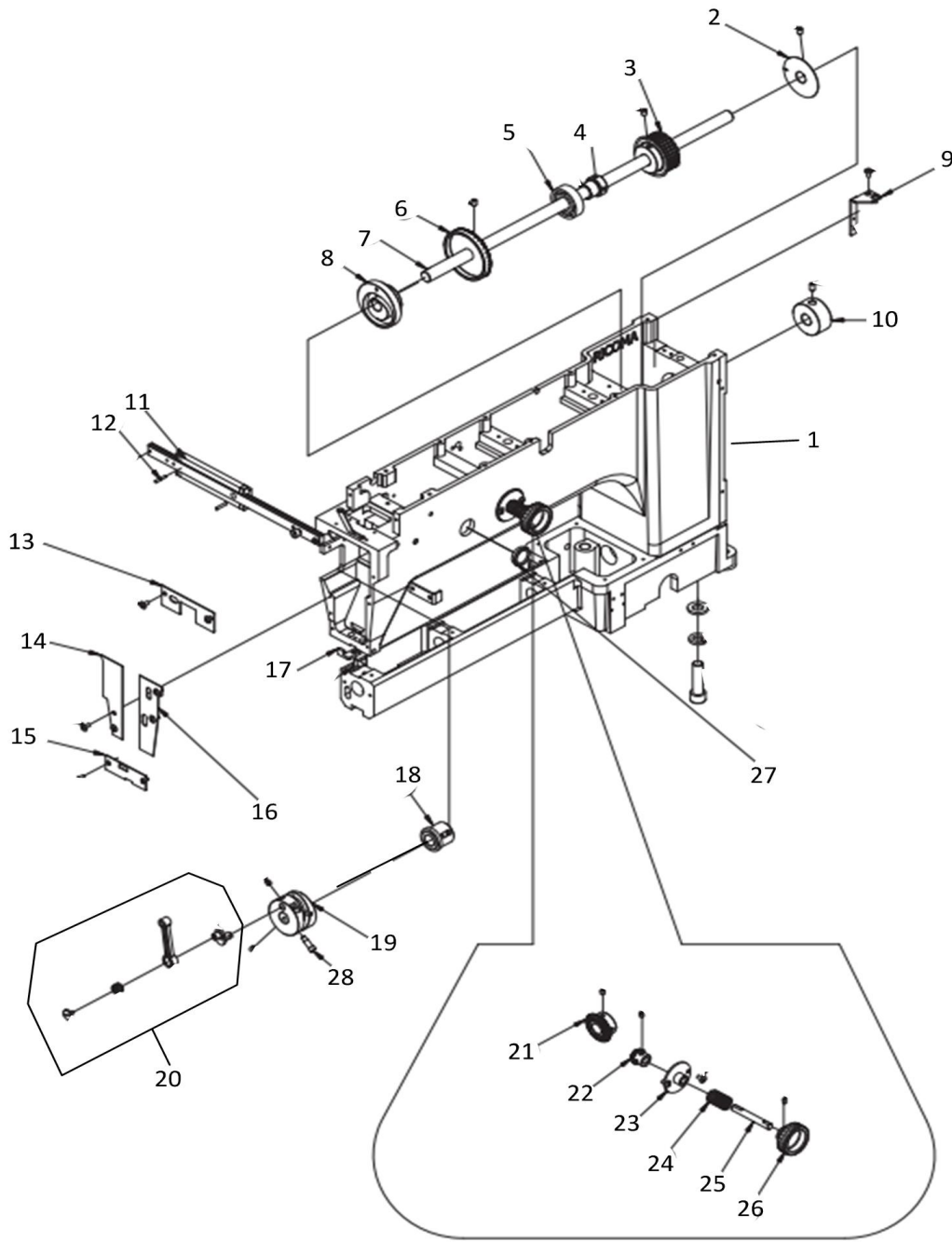




## 03. Trimming Parts

## 剪线部分

序号	零件编号 (P/N)	零件名称	Description	标准 用量	备注
3.1	105070011	扣线电磁铁复位板	Picker solenoid limit plate	1	
3.2	206120002	扣线电磁铁组件	Picker solenoid	1	
3.3	105070013	扣线电磁铁拉杆	Picker connecting rod	1	
3.4	105070012	扣线电磁铁安装板	Picker solenoid installation plate	1	
3.5	305070001	剪线曲柄组件	Shear crank Set	1	
3.6	105070015	定刀	Fixed knife	1	
3.7	105070016	动刀	Movable knife	1	
3.8	105070017	动刀轴承套	Movable knife drive arm clipper	1	
3.9	305030002	扣线器组件	Picker fork	1	
3.10	105030016	旋梭罩	Needle palte base cover	1	
3.11	105070014	铜套	Face bearing	2	
3.12	105070006	开口剪线连杆	Trimming drive rod	1	
3.13	105070004	剪线驱动块	Trimming drive block	1	
3.14	105070005	剪线感应头	Trimming induction block	1	
3.15	105070001	感应开关	Micro approach switch	1	
3.16	105070007	剪线马达安装座	Fixed knife shrapnel	1	
3.17	105010033	缓冲垫	Cushion	3	
3.18	206014003	剪线马达(42H53-1206B-MTJ-01)	Trimming motor	1	
3.19	105070002	剪线连杆(145)	Trimming connecting rod	1	
	105070003	剪线连杆(185)	Trimming connecting rod	1	
3.20	105070008	台阶螺丝M4*4-5*3.5	Screw M4*4-5x3.5	2	
3.21	305070001	剪线曲柄组件	Trimming drive arm	1	
3.22	105070009	剪线拉杆421	Trimming pull rod	1	
	105070018	剪线拉杆(Y=400)	Trimming pull rod		
	105070010	剪线拉杆586	Trimming pull rod		



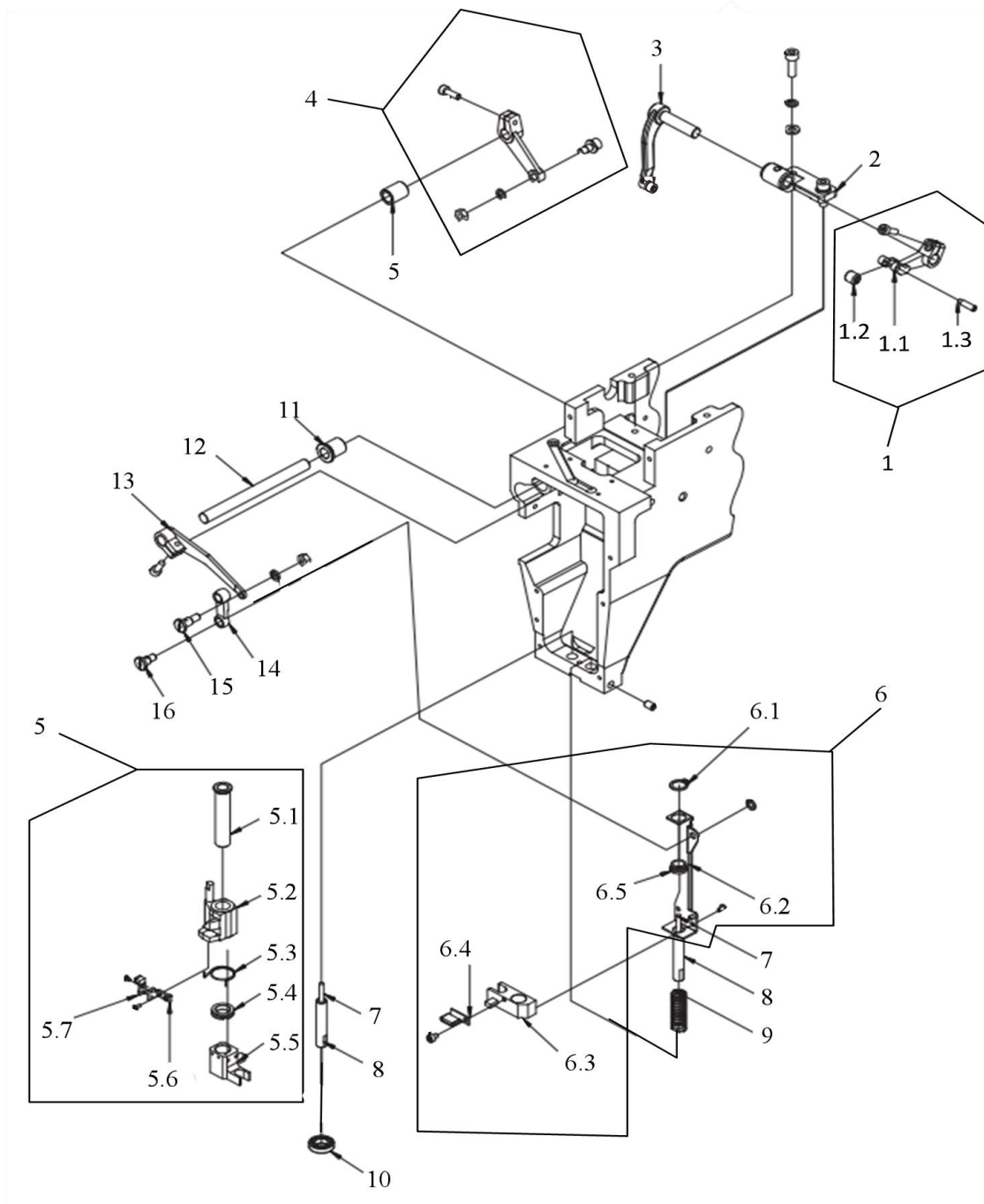
## 04. Arm

## 机头

序号	零件编号 (P/N)	零件名称	Description	标准 用量	备注
4.1	105010001	机头壳(350)	Head	1	
	105010002	机头壳(400)	Head		
	105010003	机头壳(500)	Head		
4.2	105010007	零位感光轮	Zero postion detection disk	1	
4.3	105010024	主被动皮带轮32-S5M-20-DTM	Timing pulley 32-S5M-20-DTM	1	
4.4	105010014	轴承套 42	Bearing and bearing collar 42	1	
4.5	202010015	轴承6004Z	Bearing and bearing collar 42	1	
4.6	105010009	刻度盘	Main shaft dial	1	
4.7	105010004	上轴(D15*535)	Upper shaft	1	
	105010005	上轴(D15*XXX)	Upper shaft		
	105010006	上轴(D15*723)	Upper shaft		
4.8	105010008	压脚凸轮	Presser Foot Cam	1	
4.9	106030017	指针	Zero postion coupler bracket	1	
4.10	105010011	上轴后粉末套	Upper shaft rear bushing	1	
4.11	105010018	珠架导轨6针	Straight guide rail For 6-Needle	1	
	105010019	珠架导轨9针	Straight guide rail For 9-Needle		
	105010020	珠架导轨12针	Straight guide rail For 12-Needle		
	105010021	珠架导轨15针	Straight guide rail For 15-Needle		
4.12	201510316	销Ø3x16	Pin Ø3x16	1	
4.13	105010023	挑线防尘板	Front cover Up	1	
4.14	105010029	机头防尘板L	Front cover L	1	
4.15	105010022	下导轨轴承定位板	Lower front cover	1	
4.16	105010030	机头防尘板R	Front cover R	1	
4.17	105010025	下导轨定位勾	Positioning plate	1	
4.18	105010010	上轴前粉末套	Upper shaft front bushing	1	
4.19	105010032	挑线凸轮	Arm cam	1	
4.20	305010009	驱动大连杆组件	Drive Dalian rod Set	1	
4.21	102030004	伞齿轮大	Bevel gear big	1	
4.22	102030005	伞齿轮小	Bevel gear small	1	
4.23	105010015	手动轮座	Handle bushing	1	
4.24	105010016	手柄弹簧	Handle spring	1	
4.25	105010013	手动轮轴	Handle shaft	1	
4.26	105010017	手动轮	Ajdstment handle	1	
4.27	305010001	放大镜组件	Dial observer	1	
4.28	105010031	驱动凸轮销	Cam pin	1	
4.29	105010012	压脚凸轮挡罩	Presser foot cam cover	1	未在图中

05. Needle Bar Driving Parts

针杆箱部分



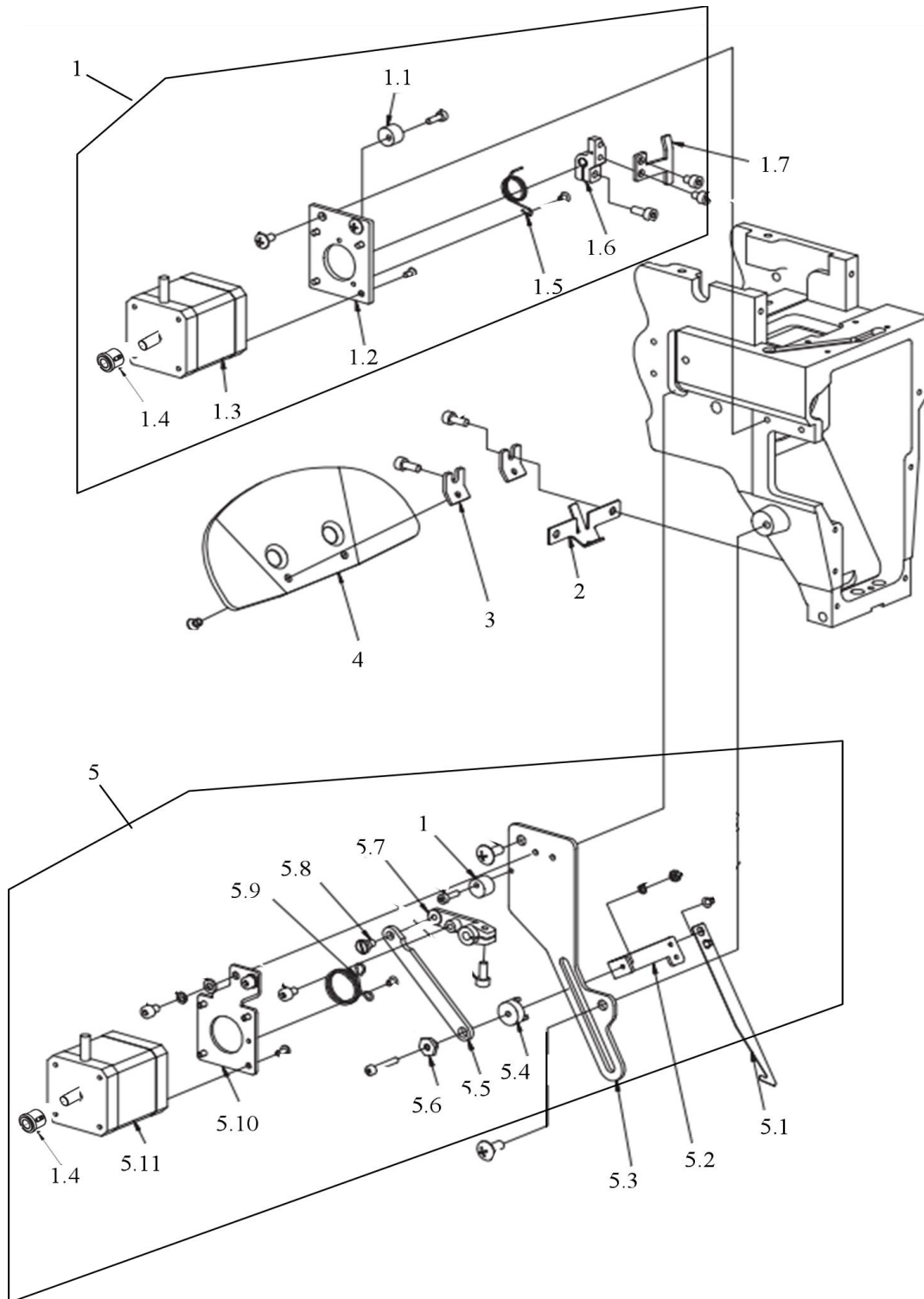
## 05. Needle Bar Driving Parts

## 针杆驱动部分

序号	零件编号(P/N)	零件名称	Description	标准 用量	备注
5.1	305010006	挑线老压头组件	Take-up set	1	
5.1.1	105010034	挑线老压头连接销	Take-up connecting lever pin	1	
5.1.2	105010035	挑线杆驱动臂	Take-up connecting rod	1	
5.1.3	105010036	挑线老压头辊子	Driver returnning spring	1	
5.2	105010028	挑线连杆座	Take-up bar base	1	
5.3	305010007	挑线连杆组件	Take-up set	1	
5.4	305010008	压脚凸轮连杆组件	Presser foot cam link set	1	
5.5	305010005	驱动器总成	Needle bar reciprocator	1	
5.5.1	105010037	驱动器轴衬套	Shaft bushing	1	
5.5.2	105010038	针杆上下部件	Reciprocator	1	
5.5.3	105010039	驱动器回复弹簧	Driver returnning spring	1	
5.5.4	105010040	驱动器弹簧支座	Torsion spring positioning block	1	
5.5.5	105010041	针杆上下部件座	Needle bar drive block	1	
5.5.6	105010042	驱动器支撑	Silencing base support	1	
5.5.7	105010043	驱动块支架(黑胶消音支架)	Drive block support	1	
5.5.8	105010044	驱动器黑胶支架	Support	1	
5.6	305010004	提压脚组件	Presser foot drive Set	1	
5.6.1	201501005	卡簧	Elastic collar	1	
5.6.2	105010045	驱动轴上下活动支架	Arm drive shaft support	1	
5.6.3	105010046	压脚驱动块	Presser foot drive block	1	
5.6.4	105010047	橡胶支架	Presser foot buffer cushion	1	
5.6.5	105010048	轴衬套A	Shaft bushing A	1	
5.7	102010013	棉芯	Wick	1	
5.8	105010027	驱动器轴	Arm drive shaft	2	
5.9	105010049	提压脚弹簧	Presser foot guide spring	1	
5.10	202010004	下导轴轴承(针杆箱导向轴承)	Bearing	1	
5.11	105070014	铜套	Face bearing	2	
5.12	105010050	压脚传动连接轴	Presser foot drive connecting shaft	1	
5.13	105010051	提压脚驱动臂	Drive arm	1	
5.14	105010052	压脚连杆	Presser foot connecting rod	1	
5.15	105010053	连杆销(上)M5*20	Connecting rod pin-up	1	
5.16	105010054	连杆销(下)M5*13	Connecting rod pin-lower	1	
5.17	207050001	LED灯组件	LED	1	未在图中

06. Upper Thread Hook

跳跃及勾线部分

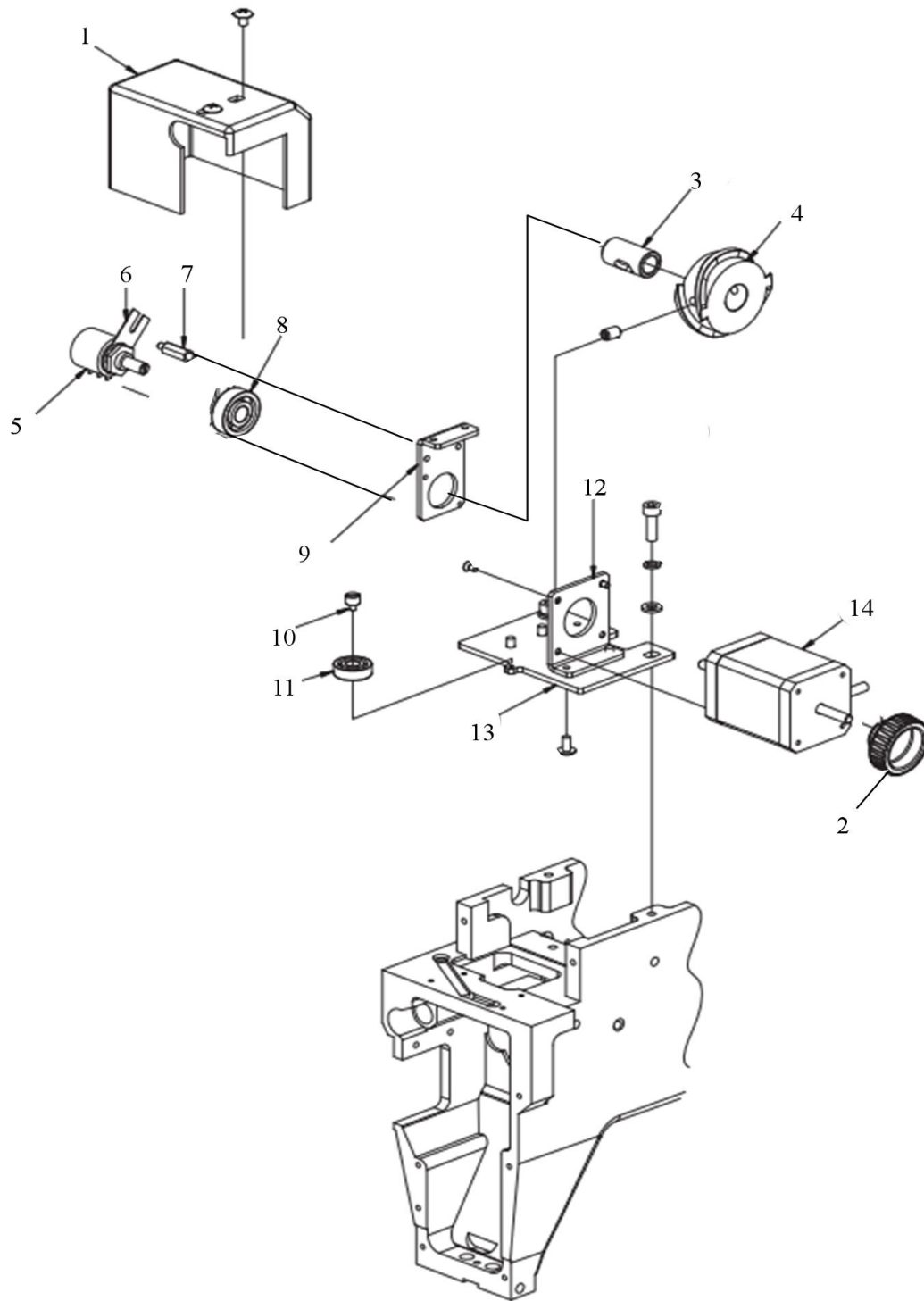


## 06. Upper Thread Hook

## 跳跃及勾线部分

序号	零件编号(P/N)	零件名称	Description	标准 用量	备注
6.1	305040001	跳跃总成	Arm jumping set	1	
6.1.1	105010033	缓冲垫	Silencing block	2	
6.1.2	105040005	跳跃马达安装座55*42*3	Arm motor plate	1	
6.1.3	206010009	跳跃马达JF42H47H-1206B-MTJ	Stepping motor	1	
6.1.4	105040001	电机手动旋钮	Motor manual knob	2	
6.1.5	105040006	跳跃扭簧	Jumping torsion spring	1	
6.1.6	105040007	跳跃夹紧块	Arm jumping plate	1	
6.1.7	105040008	跳跃杆支架	Jumping lever bracket	1	
6.2	105040004	勾刀导向板	Hook guide	1	
6.3	105040003	帽挡板固定片	Baffle bracket-lower	2	
6.4	105040002	帽挡板	Baffle-lower	1	
6.5	305040002	勾线总成	Hook Set	1	
6.5.1	105040009	勾线刀	Thread hook	1	
6.5.2	105040010	勾刀连接块	Thread hook connecting block	1	
6.5.3	105040011	勾刀组件安装板	Thread hook plate	1	
6.5.4	105040012	勾刀定位块	Thread hook positioning block	1	
6.5.5	105040013	勾刀连接杆	Thread hook connecting bar	1	
6.5.6	105040014	六角环	Hexagon ring	1	
6.5.7	105040015	勾线驱动臂	Hook drive arm	1	
6.5.8	105040016	带台阶螺丝M4*4-5x3.5	Screw M4*4-5x3.5	1	
6.5.9	105040017	勾线驱动扭簧	Drive arm returning spring	1	
6.5.10	105040018	勾线马达安装座	Hook motor base	1	
6.5.11	206100010	勾线马达42H-40-1206A05-14	Hook motor	1	

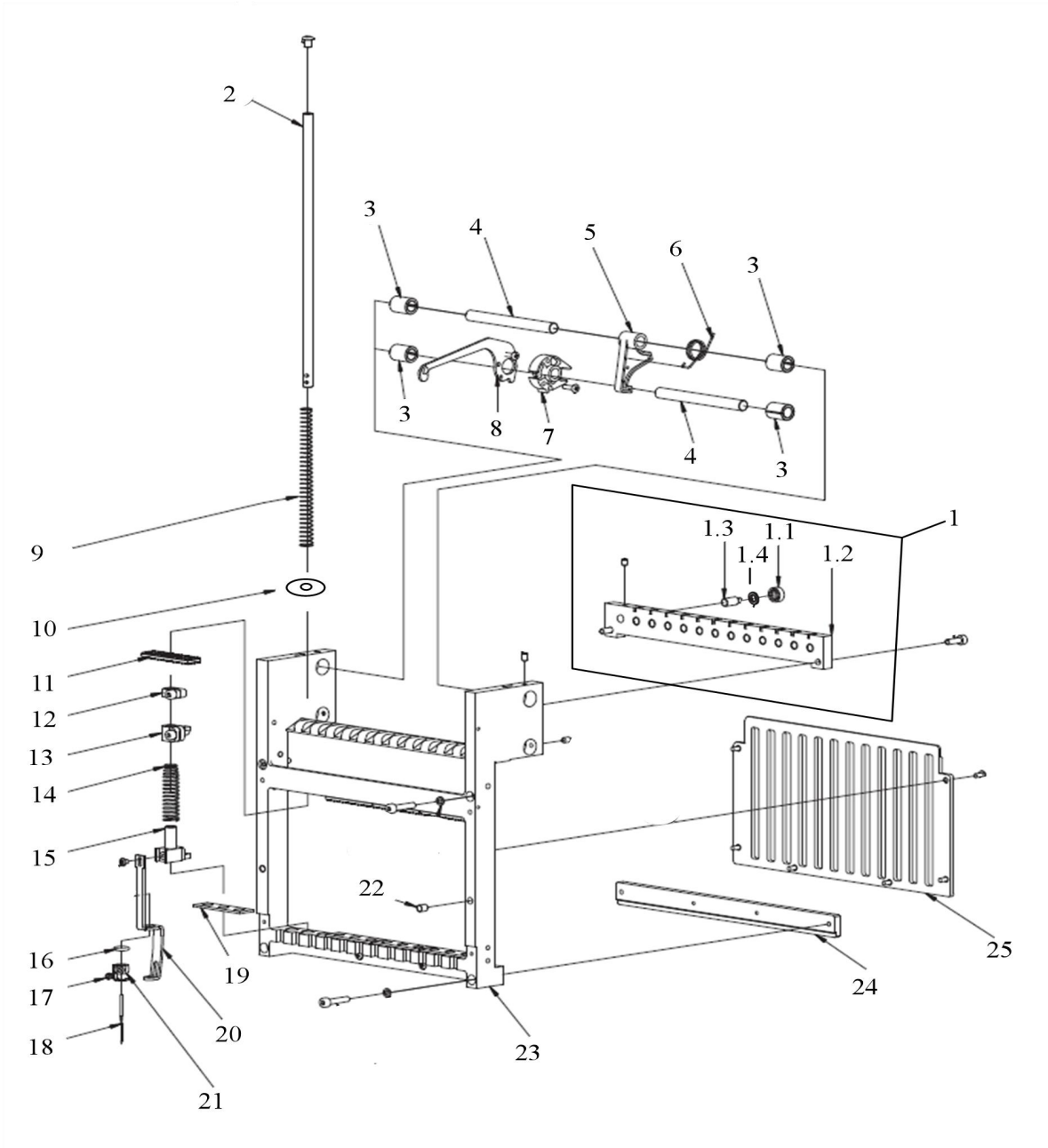




## 7.0 Color Change System

## 换色系统

序号	零件编号(P/N)	零件名称	Description	标准 用量	备注
7.0	305080001	换色凸轮及马达组件	Color Change set	1	
7.1	106010009	换色马达罩	Change cover	1	
7.2	106010007	换色手柄	Color chage handle	1	
7.3	106010018	电位器铜套	Cam shaft sets for color	1	
7.4	105080001	换色凸轮	Color change cam	1	
7.5	207020001	电位器	Potentiometer	1	
7.6	106010020	电位器支撑	Potentiometer support	1	
7.7	106010005	电位器固定螺栓M4*35	Potentiometer fixed bolt	1	
7.8	106010011	轴承629-Z	Bearing 629-Z	1	
7.9	106010003	轴承支撑板	Bearing plate	1	
7.10	106010006	换色轴承销（带螺纹）M4	Change bearing pin	1	
7.11	202010013	滚动轴承606	19-7-6 Bearing	1	
7.12	106010004	换色马达座	Color chage base	1	
7.13	106010008	换色组件安装板	Color chage base-DT	1	
7.14	206010003	换色步进马达JB42H53H-1206B-MT	Stepping motor 42	1	

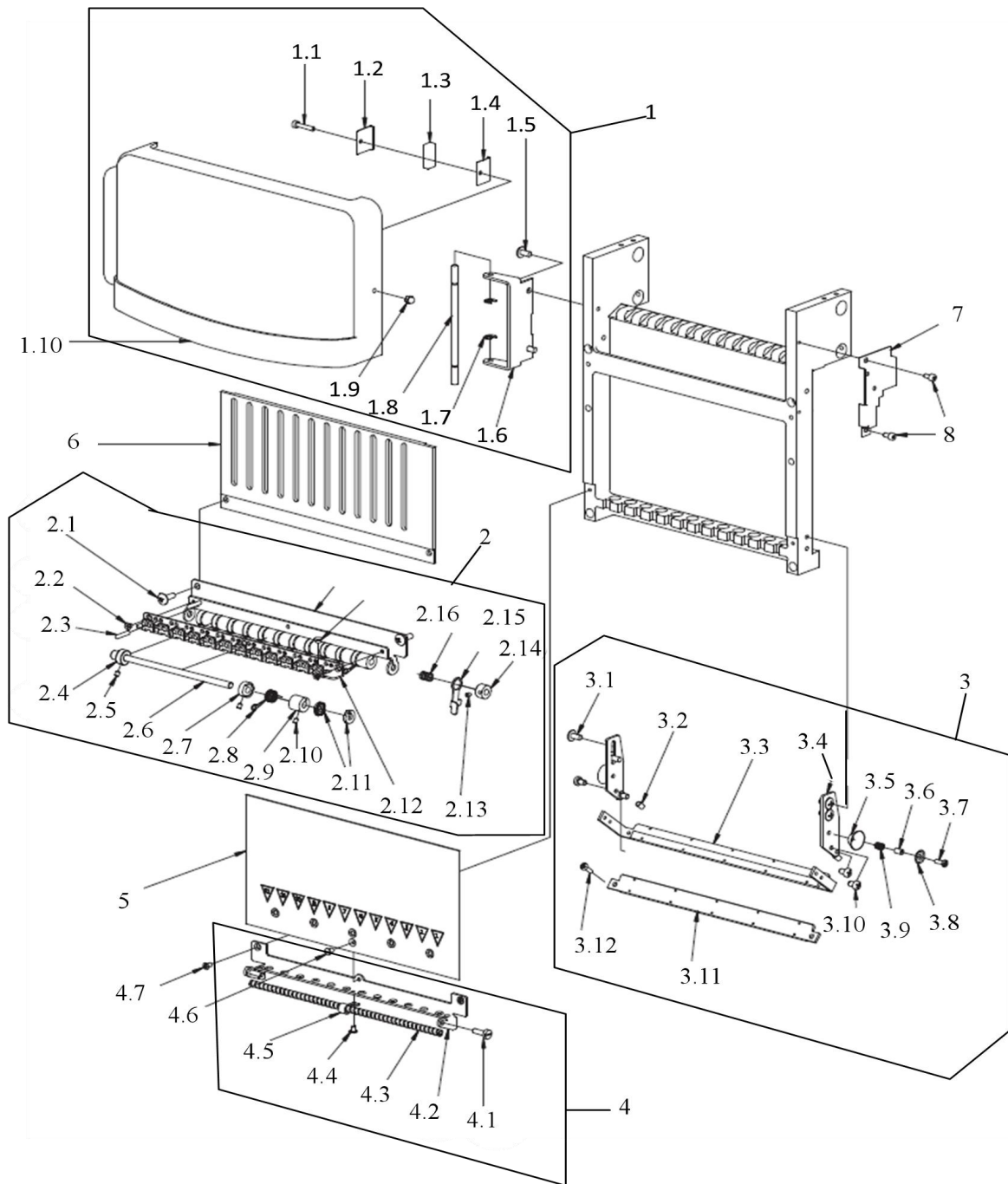


## 08. Needle Case A

## 针杆箱组件

针数 12

序号	零件编号(P/N)	零件名称	Description	标准用量	备注
8	305020003	针杆箱组件	Needle Bar case set	1	
8.1	306040001	换色滚珠板组件(6N)	Color changing ball plate set for 6N	1	
	306040002	换色滚珠板组件(9N)	Color changing ball plate set for 9N		
	306040003	换色滚珠板组件(12N)	Color changing ball plate set for 12N		
	306040004	换色滚珠板组件(15N)	Color changing ball plate set for 15N		
8.1.1	106010013	轴承D8d6T5	Bearing 619/4	12	
8.1.2	106010017	换色滚珠基板(6N)	Color change plate For 06-Needle	12	
	106010011	换色滚珠基板(9N)	Color change plate For 09-Needle		
	106010010	换色滚珠基板(12N)	Color change plate For 12-Needle		
	106010012	换色滚珠基板(15N)	Color change plate For 15-Needle		
8.1.3	106010014	销	pins	12	
8.1.4	106010015	垫圈D8d6T1.5	Washer	12	
8.2	105020005	针杆 1217	Needle bar	12	
8.3	102020017	开口轴衬:NO.2 8MM DIA.	Take-up shaft block L=15mm	4	
8.4	102020018	挑线杆导向轴 9N	Needle clamp For 09-Needle	2	
	102020034	挑线杆导向轴 6N	Needle clamp For 06-Needle		
	102020035	挑线杆导向轴 12N	Needle clamp For 12-Needle		
	102020040	挑线杆导向轴 15N	Needle clamp For 15-Needle		
8.5	102020032	自扣杆	Take-up lever positioning block	12	
8.6	105020022	自扣弹簧:1MM DIA.	Positioning block torsion spring	12	
8.7	102020021	挑线齿轮	Take-up lever plastic block	12	
8.8	102020019	挑线杆片[s]	Take-up lever	12	
8.9	102020005	针杆上弹簧:0.5MM DIA.	Needle bar spring	12	
8.10	102020006	垫片	Felt packing	12	
8.11	102020007	带钉橡胶	Rubber cushion	12	
8.12	102020008	上死点固定块件	Upper dead point clamp	12	
8.13	102020009	针杆连接销	Needle bar connecting pin	12	
8.14	102020010	压脚弹簧:0.7MM DIA.	Presser foot spring	12	
	102020011	压脚弹簧:0.8MM DIA.	Presser foot spring		
8.15	102020013	压脚调节套	Presser foot bushing	12	
8.16	102020057	O型圈	Baffle ring	12	
8.17	102020016	针夹固定螺丝	Needle clamp screw	12	
8.18	211090003	针	Needle	12	
8.19	102020015	下手粘垫: T0.5-1	Felt packing	12	
8.20	102020014	压脚 96	Presser foot	12	
8.21	102020016	针夹[s]	Needle clamp	12	
8.22		磁铁	Magnet	2	
8.23	105020001	针杆架 6针	Needle case For 06-Needle	1	
	105020002	针杆架 9针	Needle case For 09-Needle		
	105020003	针杆架 12针	Needle case For 12-Needle		
	105020004	针杆架 15针	Needle case For 15-Needle		
8.24	105020010	针杆架下导轨条 6针	Lower guide rail For 06-Needle	12	
	105020011	针杆架下导轨条 9针	Lower guide rail For 09-Needle		
	105020012	针杆架下导轨条 12针	Lower guide rail For 12-Needle		
	105020013	针杆架下导轨条 15针	Lower guide rail For 15-Needle		
8.25	105020006	针杆导板 6针	Needle bar guide For 06-Needle	1	
	105020007	针杆导板 9针	Needle bar guide For 09-Needle		
	105020008	针杆导板 12针	Needle bar guide For 12-Needle		
	105020009	针杆导板 15针	Needle bar guide For 15-Needle		
26	102020012	压脚开口轴衬		12	



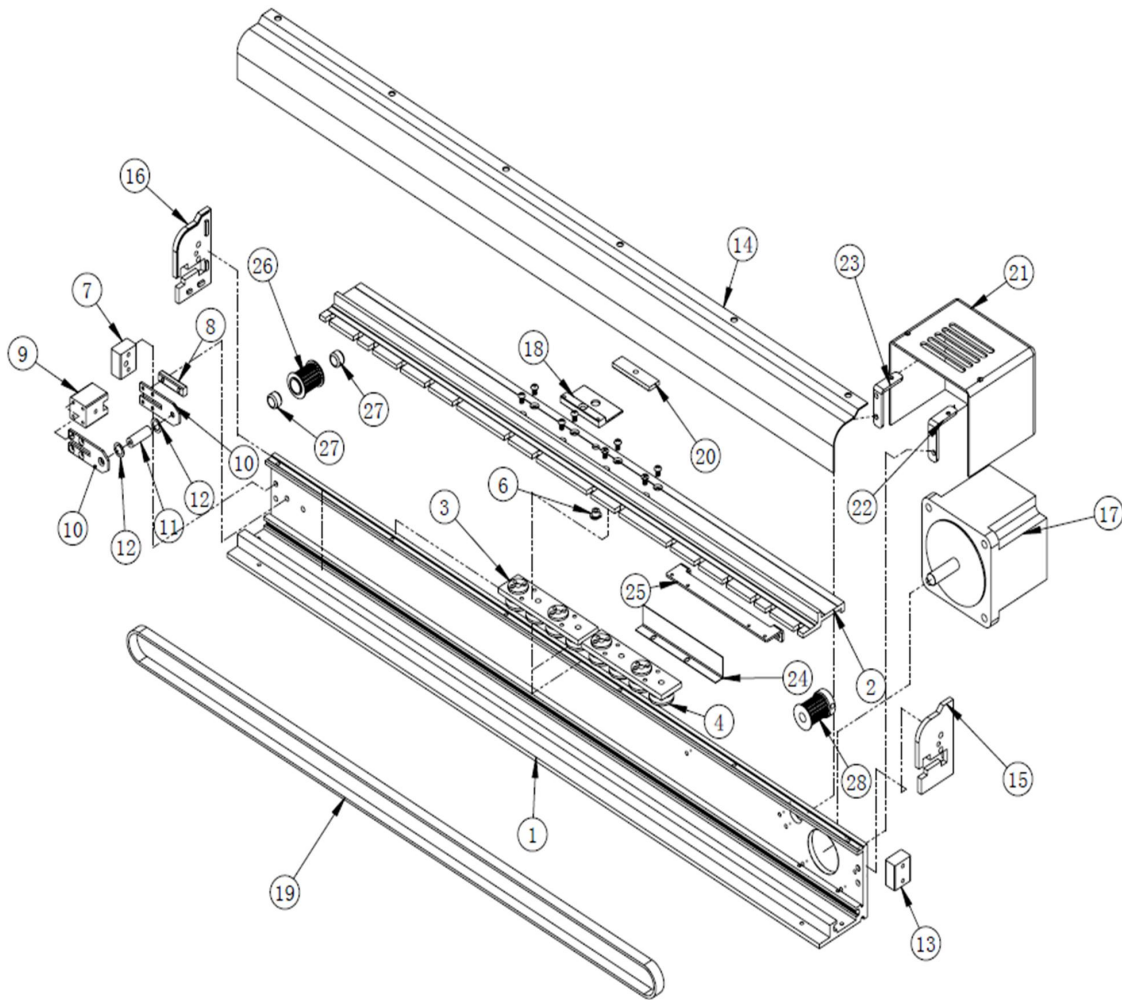
## 09. Needle Case B-1

## 针杆箱组件B-1

序号	零件编号(P/N)	零件名称	Description	标准 用量	备注
9.1	305050001	针杆架面罩组件6N	Protective cover for 6N	1	
	305050002	针杆架面罩组件9N	Protective cover for 9N		
	305050003	针杆架面罩组件12N	Protective cover for 12N		
	305050004	针杆架面罩组件15N	Protective cover for 15N		
9.2	305050005	中过线道组件6针	Middle thread course shaft For 06-Needle	1	
	305050006	中过线道组件9针	Middle thread course shaft For 09-Needle		
	305050007	中过线道组件12针	Middle thread course shaft For 12-Needle		
	305050008	中过线道组件15针	Middle thread course shaft For 15-Needle		
9.3	305020005	下毛刷组件6N	Baseupper Thread Holder 6N	1	
	305020006	下毛刷组件9N	Baseupper Thread Holder 9N		
	305020007	下毛刷组件12N	Baseupper Thread Holder 12N		
	305020008	下毛刷组件15N	Baseupper Thread Holder 15N		
9.4	305020009	下过线道组件6N	Lower thread course For 06-Needle	1	
	305020010	下过线道组件9N	Lower thread course For 09-Needle		
	305020011	下过线道组件12N	Lower thread course For 12-Needle		
	305020012	下过线道组件15N	Lower thread course For 15-Needle		
9.5	105020014	针架下面板6针	Front face plate For 06-Needle	1	
	105020015	针架下面板9针	Front face plate For 09-Needle		
	105020016	针架下面板12针	Front face plate For 12-Needle		
	105020017	针架下面板15针	Front face plate For 15-Needle		
9.6	105020018	针架上面板6针	Upper face plate For 06-Needle	1	
	105020019	针架上面板9针	Upper face plate For 09-Needle		
	105020020	针架上面板12针	Upper face plate For 12-Needle		
	105020021	针架上面板15针	Upper face plate For 15-Needle		
9.7	105050001	塑料面罩支架	Bracket	1	
9.8		螺丝	Screw	2	

10. X-axis Widened Drive System (Option Device)

加宽驱动组件



## 10. X-axis Widened Drive System (Option Device)

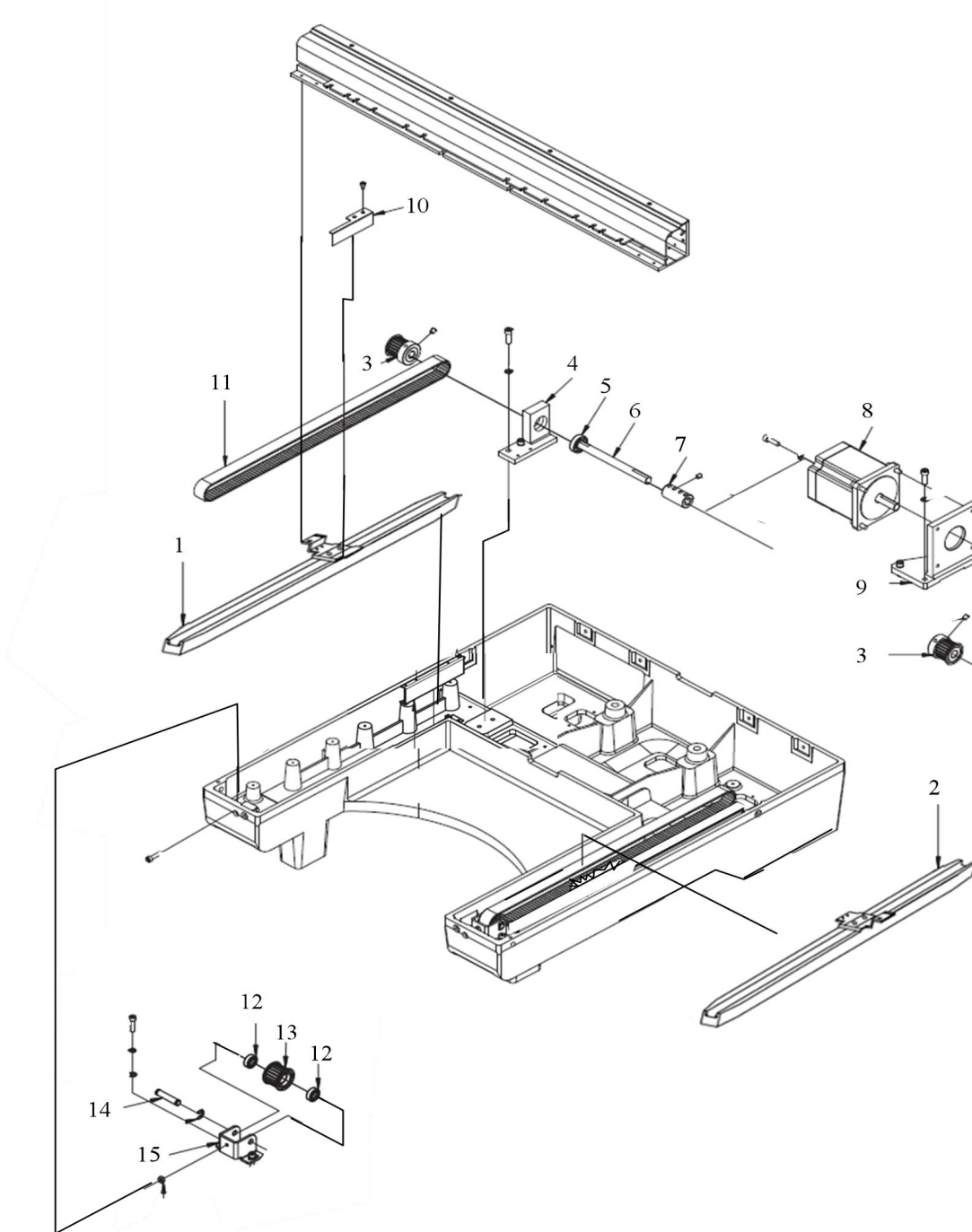
## 加宽驱动组件

序号	零件编号 (P/N)	零件名称	Description	标准 用量	备注
1	105150027	X驱动座 500	X-axis Drive Base 500	1	
	105150028	X驱动座 600	X-axis Drive Base 600		
	105150029	X驱动座 800	X-axis Drive Base 800		
	105150030	X驱动座 1200	X-axis Drive Base 1200		
2	105150045	X驱动连接板	X drive connecting plate	1	
3	106160024	X轴承滑块导板座	Bearing slide block	2	
4	202010013	轴承SG66	Bearing SG66	8	
6		牙套	Screw cover	1	
7	106160018	X驱动座端盖固定座	X-side cover support	1	
8	106160022	X张力调整块	Tension adjusting block	1	
9	106160019	X驱动被动带轮张力调节座	Tension adjusting seat	1	
10	106160021	X被动带轮固定片	Pulley fixing plate	1	
11	106160020	X被动带轮轴	X-axis Passive pulley shaft	1	
12		垫片	Washer	2	
13	106160018	X驱动座端盖固定座	X-side cover support	1	
14	105160022	X驱动座罩盖500	X-change cover 500	1	
	105160023	X驱动座罩盖600	X-change cover 600		
	105160024	X驱动座罩盖800	X-change cover 800		
	105160025	X驱动座罩盖1200	X-change cover 1200		
15	106160011	X驱动端盖左	X-side cover L	1	
16	106160040	X驱动端盖右	X-side cover R	1	
17	206010006	X驱动马达	Steper Motor	1	
18	105150020	X导轨固定片	Connecting plate frame block	1	
20	105150014	皮带压板	X-belt press felt	1	
21	105150033	X驱动电机罩盖(塑料)	X-motor cover(plastic)	1	
	105150001	X驱动电机罩盖(塑料)	X-motor cover(bracket)		
22	105150010	X向电机罩壳右支架	X-motor cover bracket-R	1	
23	105150010	X向电机罩壳左支架	X-motor cover bracket-L	1	



11. Y-axis Drive System

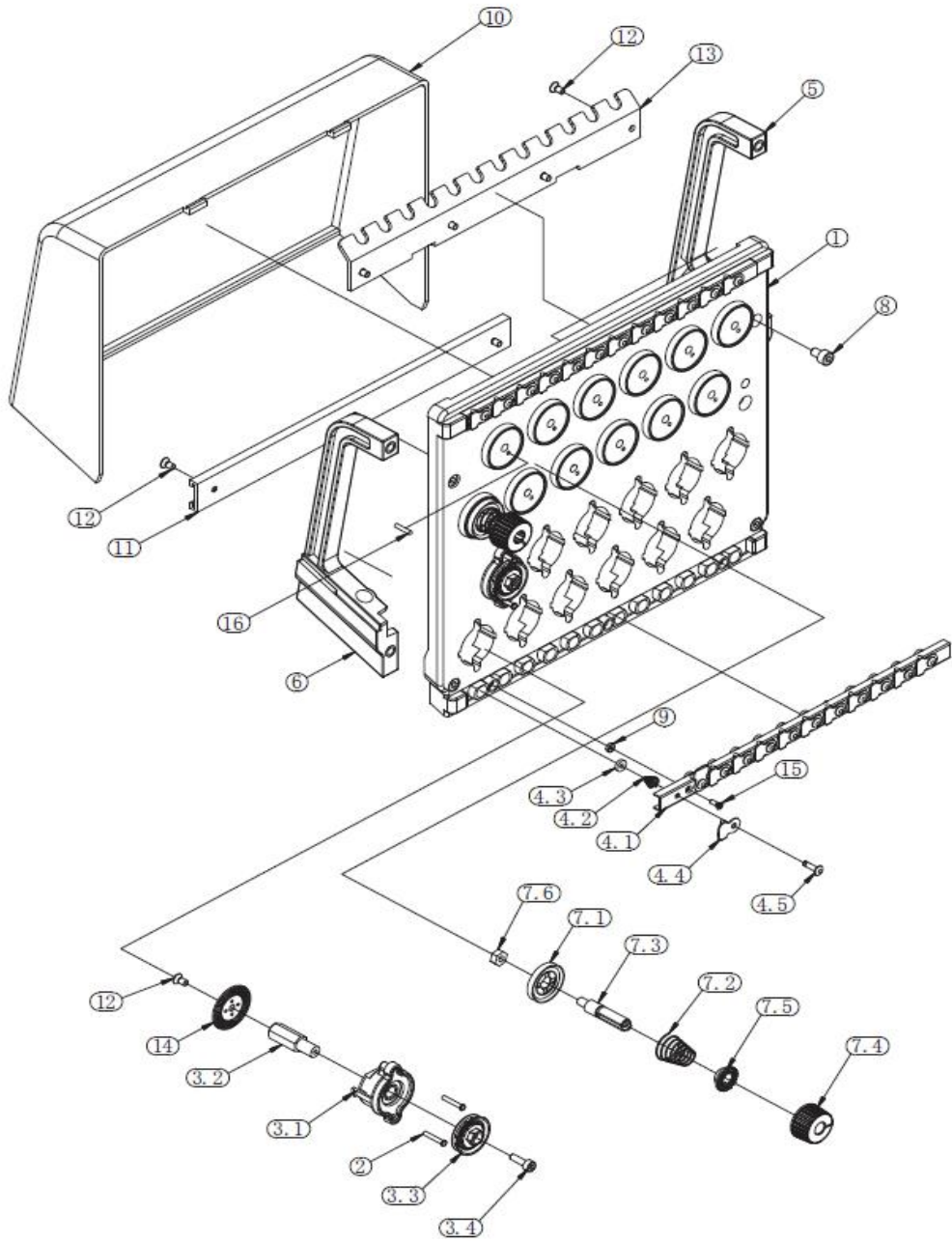
Y驱动组件



## 11. Y-axis Drive System

## Y驱动组件

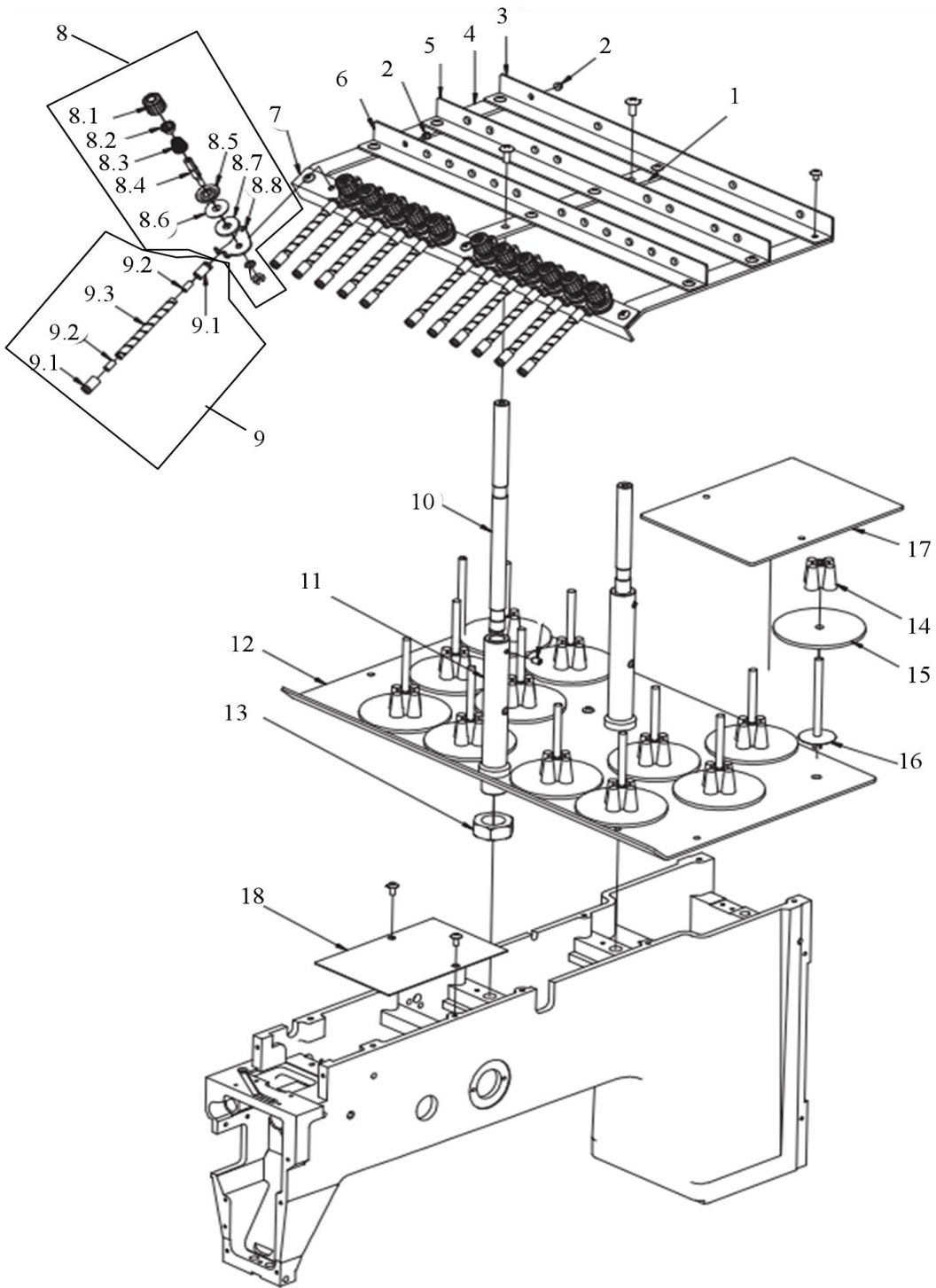
序号	零件编号(P/N)	零件名称	Description	标准用量	备注
11.1	305150007	Y导轨组件L(Y=350)	Y-axis Drive set L(Y=350)	1	*
	305150008	Y导轨组件L(Y=400)	Y-axis Drive set L(Y=400)		*
	305150009	Y导轨组件L(Y=500)	Y-axis Drive set L(Y=500)		*
11.2	305150010	Y导轨组件R(Y=350)	Y-axis Drive set R(Y=350)	1	*
	305150011	Y导轨组件R(Y=400)	Y-axis Drive set R(Y=400)		*
	305150012	Y导轨组件R(Y=500)	Y-axis Drive set R(Y=500)		*
11.3	105150005	Y主动带轮20-3M-22	Timing pulley 33-3M-22-12	1	
11.4	105150002	Y轴承座	Y bearing base	2	
11.5	202010022	轴承S6902	Bearing S6902	1	
11.6	105150003	Y驱动轴(D12*515)	Y drive shaft L=515	1	
	105150004	Y驱动轴(D12*295)	Y drive shaft L=295		
11.7	105150007	联轴器Φ12	Shaft cushioning Φ12	1	
11.8	206018003	步进马达86H3P130-3006B-12	Stepping motor 86H3P130-3006B-12	1	
11.9	105150032	Y马达座	Y motor base	1	
11.10	105150020	Y限位光耦片	Y limit buffer	1	
11.11	204030034	同步带(Y=350)	Y timing belt	2	
	204030035	同步带(Y=400)	Y timing belt		
	204030036	同步带(Y=500)	Y timing belt		
11.12	202010016	滚子轴承 698	Roller bearing 698	4	
11.13	105150006	Y被动皮带轮20-3M-22	Timing pulley 33-3M-22-NTJ	2	
11.14	105150017	Y向被动带轮轴	Y pulley shaft	2	
11.15	105160016	Y被动带轮座	Y tension base	2	
11.16	105150015	Y皮带压板	Y-Strap plate	2	
11.17	105150021	光耦支撑(大马头用)	Optocoupler support	1	
11.18	105150018	轴承套	Bearing holder	2	



序号	零件编号 (P/N)	零件名称	Description	标准 用量	备注
12.1	305060005	余美真夹线器组件6针	Thread lead plate-06 For 06-Needle	1	
	305060006	余美真夹线器组件9针	Thread lead plate-06 For 09-Needle		
	305060007	余美真夹线器组件12针	Thread lead plate-12 For 12-Needle		
	305060008	余美真夹线器组件15针	Thread lead plate-15 For 15-Needle		
12.1.1		调整台面板6针	Thread lead plate-06 For 06-Needle	1	
		调整台面板9针	Thread lead plate-06 For 09-Needle		
		调整台面板12针	Thread lead plate-12 For 12-Needle		
		调整台面板15针	Thread lead plate-15 For 15-Needle		
12.1.2		凸缘销	Block line column	18	
12.1.3		断线检查组件	Break detection set	9	
12.1.3.1		压线轮座	Block wheel over the line	9	
12.1.3.2		轮轴	Tread wheel shaft	9	
12.1.3.3		压线轮	Press Line wheel	9	
12.1.3.4		六角头盘连接轴	Hex sicket cap screws M3*10	9	
12.1.4		压线片组件	Breakage detection wheel set	9	
12.1.4.1		压线基板6针	For 06-Needle For 06-Needle	1	
		压线基板9针	For 06-Needle For 09-Needle		
		压线基板12针	For 12-Needle For 12-Needle		
		压线基板15针	For 15-Needle For 15-Needle		
12.1.4.2		压线弹簧	Thread presser spring	9	
12.1.4.3		橡胶环	Rubber ring	9	
12.1.4.4		压线片	Thread presser	9	
12.1.4.5		销	Pin	9	
12.1.5		调整台支架-右	Support -R	1	
12.1.6		调整台支架-左	Support -L	1	
12.1.7		张力调整组件	Tension adjustment set	9	
12.1.7.1		张力盘	Thread presser	9	
12.1.7.2		弹簧	Spring	9	
12.1.7.3		线张力螺丝	Thrad tension screw	9	
12.1.7.4		线张力调节旋钮	Small knob	9	
12.1.7.5		弹簧钩	Spring hook	9	
12.1.7.6	201350422	螺母M4	Nut M4	9	
12.1.8	201010406-1	内六角柱头螺丝M4*6	Hex sicket cap screws M4*6	2	
12.1.9	201350422	螺母M4	Nut M4	2	
12.1.10		调整台后罩6针	Rear cover For 06-Needle	1	
		调整台后罩9针	Rear cover For 09-Needle		
		调整台后罩12针	Rear cover For 12-Needle		
		调整台后罩15针	Rear cover For 15-Needle		
12.1.11		断线感应滑轨6针	Slider For 06-Needle	1	
		断线感应滑轨9针	Slider For 09-Needle		
		断线感应滑轨12针	Slider For 12-Needle		
		断线感应滑轨15针	Slider For 15-Needle		
12.1.12		十字槽沉头自攻螺钉M3*6	Flat head tapping screw M3*6		
12.1.13		压线基板6针	Thread lead plant-06 For 06-Needle	1	
		压线基板9针	Thread lead plant-06 For 06-Needle		
		压线基板12针	Thread lead plant-12 For 12-Needle		
		压线基板15针	Thread lead plant-15 For 15-Needle		
12.1.14		旋转裂缝盘	Insulation Disk	9	
12.1.15	201130206-2	十字槽沉头螺钉	Counterbore screws M2*6	2	
12.1.16		销钉	Pins	2	

13. Thread Stand

线架组件



## 13. Thread Stand

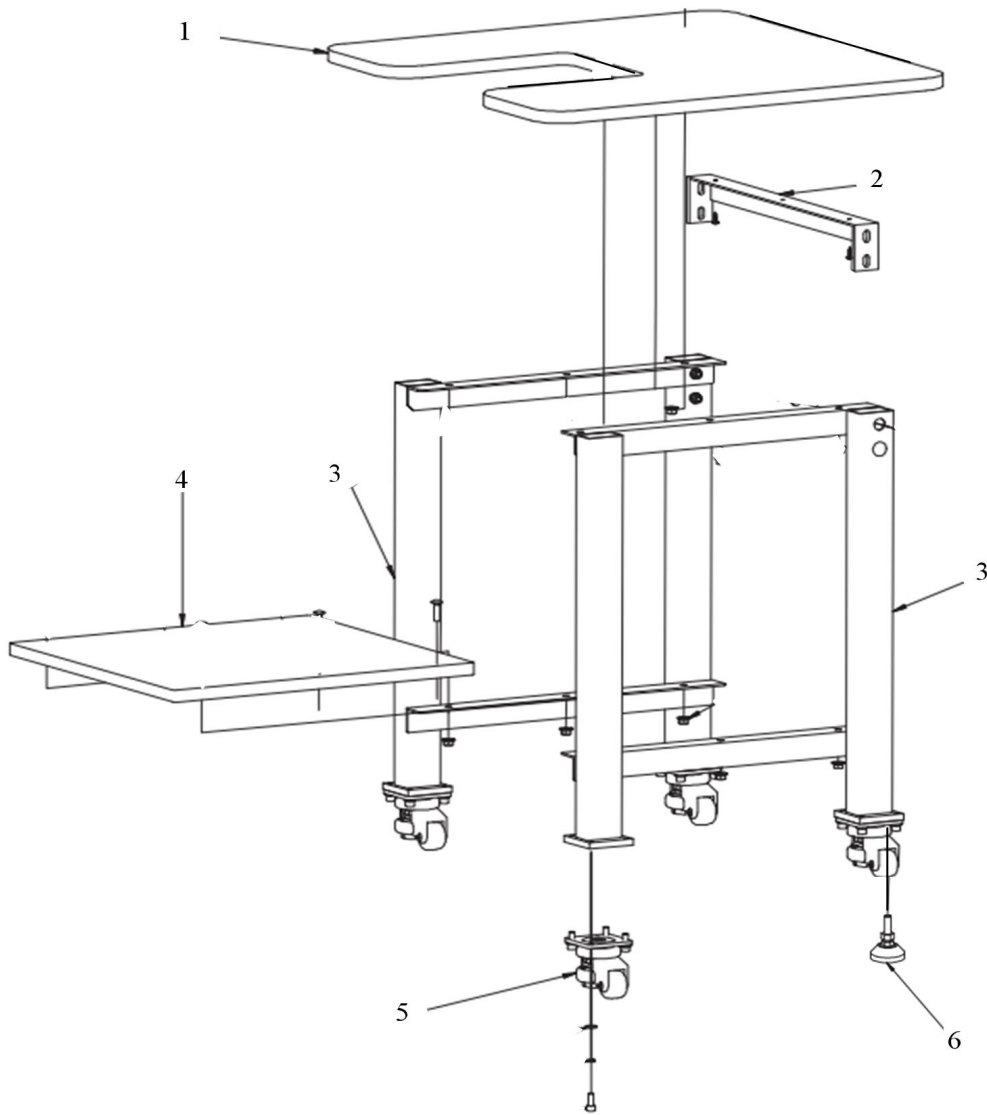
## 线架组件

针数 9

序号	零件编号 (P/N)	零件名称	Description	标准 用量	备注
13.1	305210001	线架立柱组件6N	Thread Stand for 6N	1	
	305210002	线架立柱组件9N	Thread Stand for 9N		
	305210003	线架立柱组件12N	Thread Stand for 12N		
	305210004	线架立柱组件15N	Thread Stand for 15N		
13.1.1	106210005	顶部过线道横担(中)	Thread lead plate	1	
13.1.2		瓷套	Porcelain sleeve	18	
13.1.3	105210006	过线道角铝后6针	Aluminum strip for 6N	1	
	105210007	过线道角铝后9针	Aluminum strip for 9N		
	105210008	过线道角铝后12针	Aluminum strip for 12N		
	105210009	过线道角铝后15针	Aluminum strip for 15N		
13.1.4	106210006	顶部过线道横担(边)	Support	2	
13.1.5	105210010	过线道角铝中后6针	Aluminum strip for 6N	1	
	105210011	过线道角铝中后9针	Aluminum strip for 9N		
	105210012	过线道角铝中后6孔	Aluminum strip for 12N		
	105210013	过线道角铝中后8孔	Aluminum strip for 15N		
13.1.6	105210014	过线道角铝中前6孔	Aluminum strip for 6N	1	
	105210015	过线道角铝中前9孔	Aluminum strip for 9N		
	105210016	过线道角铝中前12孔	Aluminum strip for 12N		
	105210017	过线道角铝中前15孔	Aluminum strip for 15N		
13.1.7	105210018	过线道角铝前6孔	Aluminum strip for 6N	1	
	105210019	过线道角铝前9孔	Aluminum strip for 9N		
	105210020	过线道角铝前12孔	Aluminum strip for 12N		
	105210021	过线道角铝前15孔	Aluminum strip for 15N		
13.1.8	305210005	夹线螺母组件	Thread Tension Set	9	
13.1.8.1	102220001	线张力旋钮A	Knob:Thread Tension	9	
13.1.8.2	102220002	弹簧钩	Spring hook	9	
13.1.8.3	102220003	弹簧	Taper spring	9	
13.1.8.4	102220004	线张力轴	Thread Tension Dtud	9	
13.1.8.5	102220005	张力盘	Tension Disk	9	
13.1.8.6	102220005	张力盘	Tension Disk	9	
13.1.8.7	102220006	圆毛毡	Insulation Disk	9	
13.1.8.8	102220007	线张力导块	Thread Tension Guide	9	
13.1.9	305210006	过线道组件(配余美真夹线器)		9	
	305210007	过线道组件(配丹阳夹线器)			
13.1.10	105210004	线架立柱上	Thread Stand Column	2	
13.1.11	105210005	线架立柱下	Thread Stand Column	2	
13.1.12	106210001	线架底盘(9针)	Thread Stand Plate for 6N	1	
	106210002	线架底盘(12针)	Thread Stand Plate for 9N		
	106210003	线架底盘(15针)	Thread Stand Plate for 15N		
13.1.13	201352022	螺母	Nut	1	
13.1.14	201650001	线钉张紧塑料块	Pin	9	
13.1.15	201640001	线盘毛毡	Felt	9	
13.1.16	201630001	塑料线钉	Pin	9	
13.1.17	105110025	机头顶后盖板(小)	Back	1	
	105110026	机头顶后盖板(大)	Back		
13.1.18	105110023	机头顶前盖板(小)	Front cover	1	
	105110024	机头顶前盖板(大)	Front cover		

14. Stand

底架



## 14. Stand

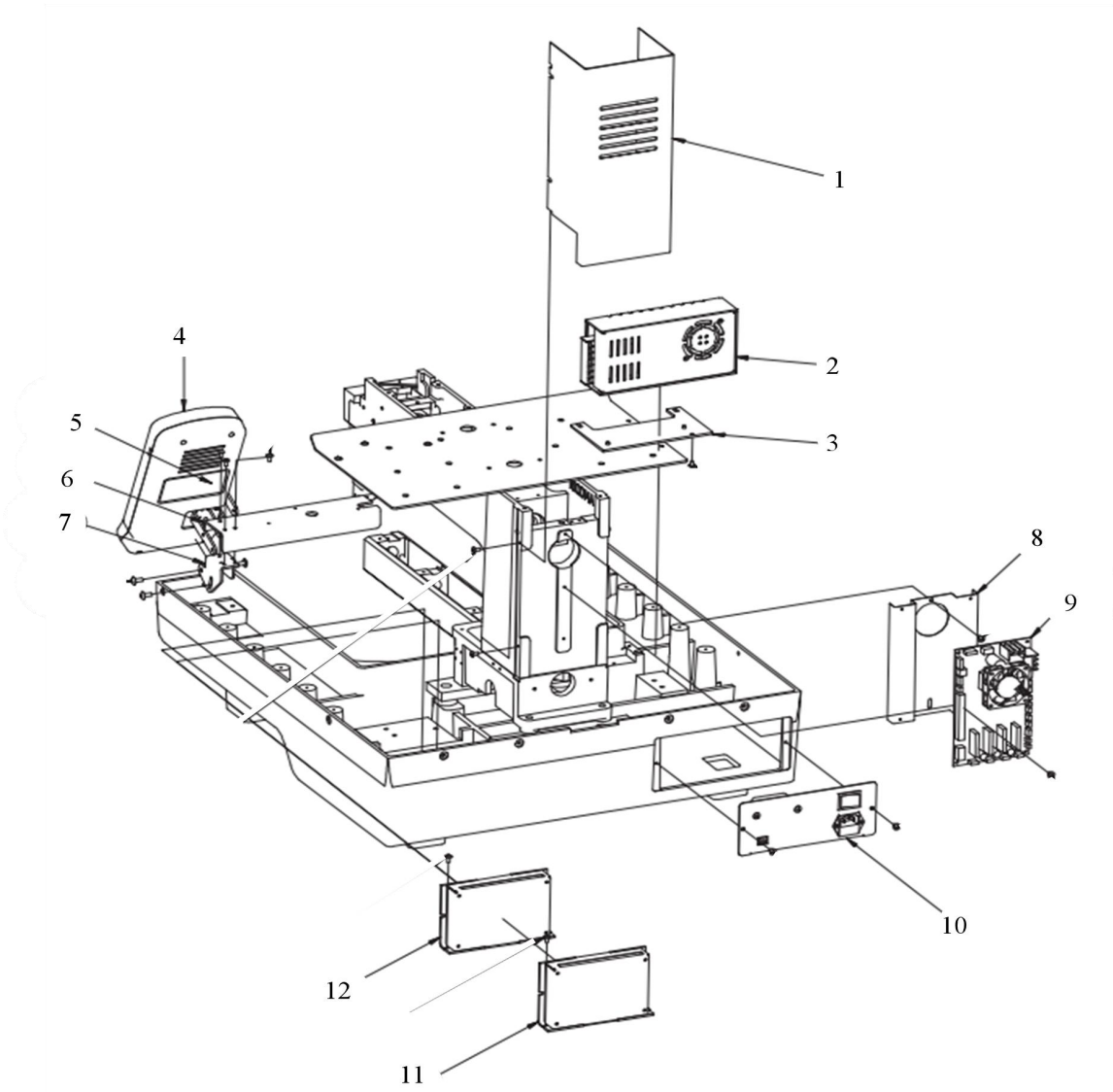
## 底架

序号	零件编号(P/N)	零件名称	Description	标准	备注
14.1	105130001	工作台(大)	Stand upper table	1	
	105130002	工作台(小)	Stand upper table		
14.2	105220009	铁横梁(大)	Stand beam	2	
	105220010	铁横梁(小)	Stand beam		
14.3	105220007	铁脚架(大)	Stand	2	
	105220008	铁脚架(小)	Stand		
14.4	105220011	铁底板(大)	Stand lower table	1	
	105220012	铁底板(小)	Stand lower table		
14.5	210020001	万向脚轮组件(带锁)	Rotary truckle	2	
14.6	210010001	万向脚轮组件(不带锁)	Rotary truckle	2	
14.7	305110001	调整支撑螺栓	Adjustment support arm	4	



15. Electrical Parts

电器部分



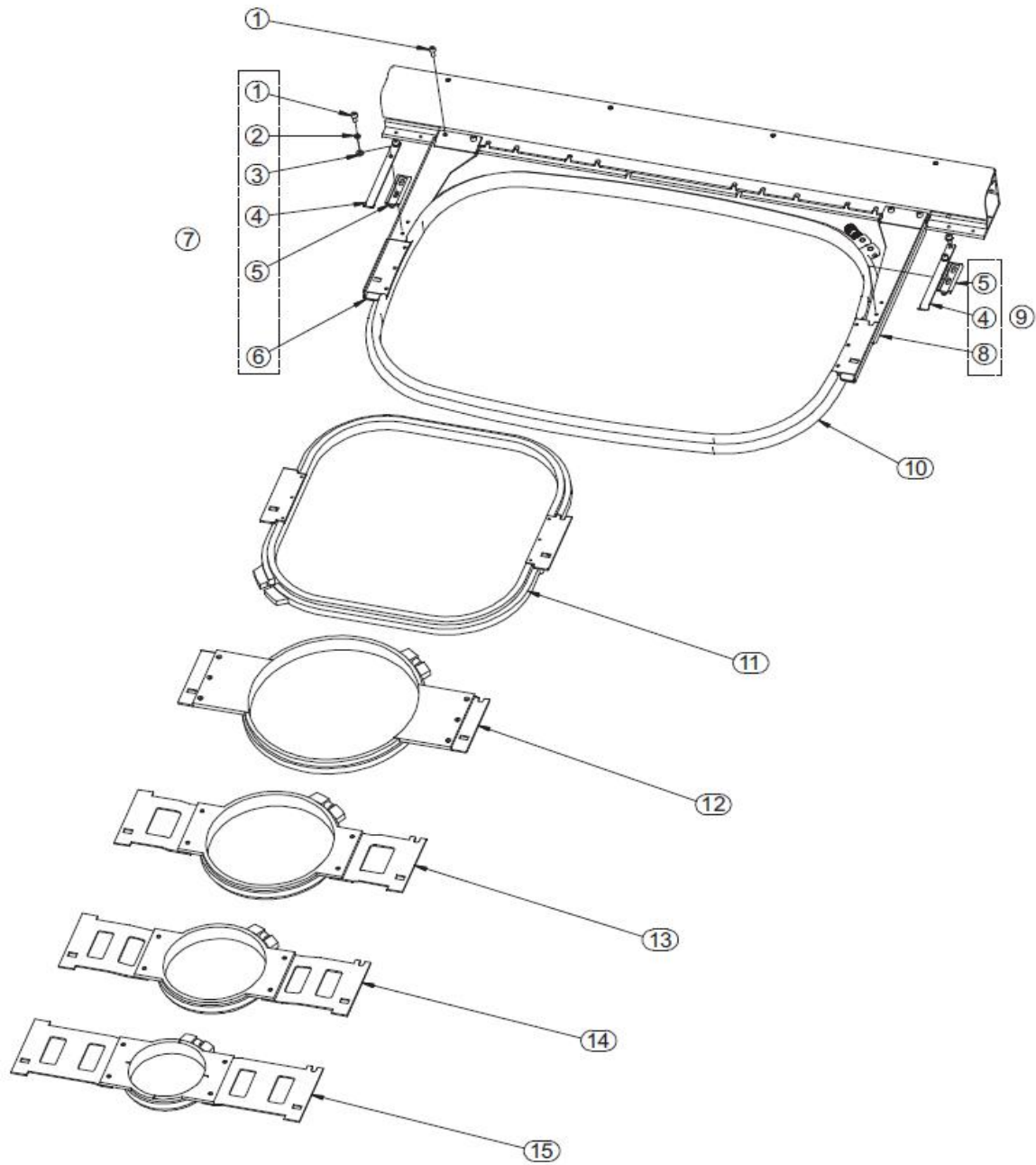
## 15. Electrical Parts

## 电器部分

序号	零件编号(P/N)	零件名称	Description	标准 用量	备注
15.1	105110027	后盖(大)	Rear cover	1	
	105110028	后盖(小)	Rear cover		
15.2	209020001	开关电源(泰智)	Power switch HF200W-SC-36	1	
	209020002	开关电源(大豪)	Power switch		
15.3	105110029	开关板支撑	Switch power support	1	
15.4	209120001	操作盘(泰智)	RCM operation panel	1	
	209120002	操作盘(大豪)	RCM operation panel		
15.5	105090001	操作头支架A	Face plate stand	1	
15.6	105090002	操作盘横梁	Face plate bracket base	1	
15.7	105090003	操作头支架B	Face plate support base	1	
15.8	105110030	电源板安装支座板	Multi-function board support	1	
15.9	209010001	主控板(泰智)	Power pane	1	
	209010002	主控板(大豪)	Power pane		
15.10	105110031	电源插头板	Power	1	
15.11	207220001	X/Y驱动控制板(泰智)	X/Y driver	1	
	207220002	X/Y驱动控制板(大豪)	X/Y driver		
15.12	207220003	主驱动控制器(泰智)	Main driver	1	
	207220004	主驱动控制器(大豪)	Main driver		
	105110032	底座防尘板		4	

16. Embroidery Frame

花架



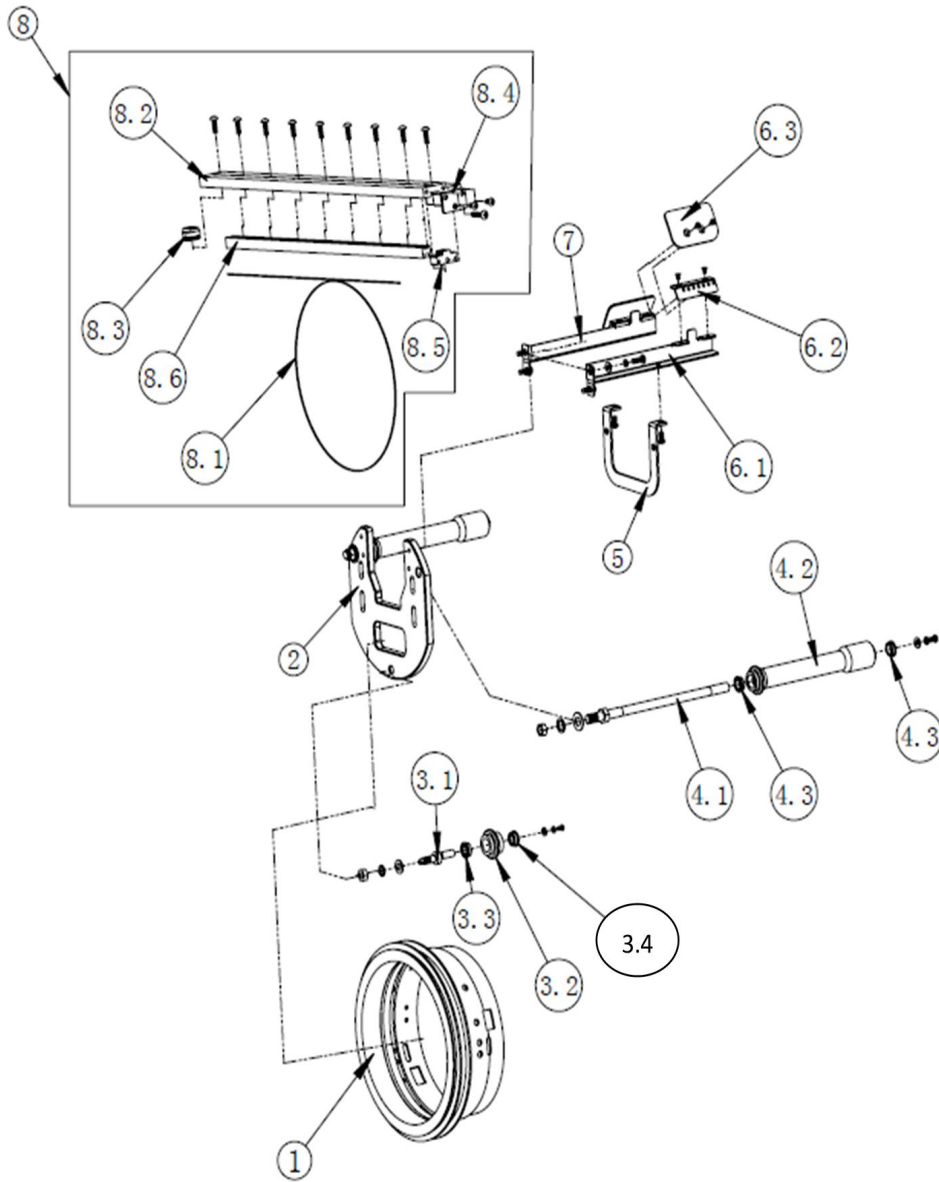
## 16. Embroidery Frame

## 花架

序号	零件编号(P/N)	零件名称	Description	标准 用量	备注
16.1	201010410-1	内六角头柱头螺钉M4*10	Hex socket head screw M4*10	4	
16.2	201220410-1	弹垫M4	Spring washer M4	4	
16.3	201210410-2	垫圈M4	Washer M4	4	
16.4	305200001	左扶手组件	Frame bracket set-L	1	
16.5	305200002	右扶手组件	Frame bracket set-R	1	
16.6	305230006	花架540*360	Rectangle frame-540x360	1	
16.7	305230005	花架290*290	Rectangle frame-290x290	1	
16.8	305230004	花架200	Round frame-200	1	
16.9	305230003	花架150	Round frame-150	1	
17	305230002	花架120	Round frame-120	1	
17.1	305230001	花架90	Round frame-90	1	
17.2	105190001	绣框连接板		1	

17. Cap Frame parts

帽驱动组件



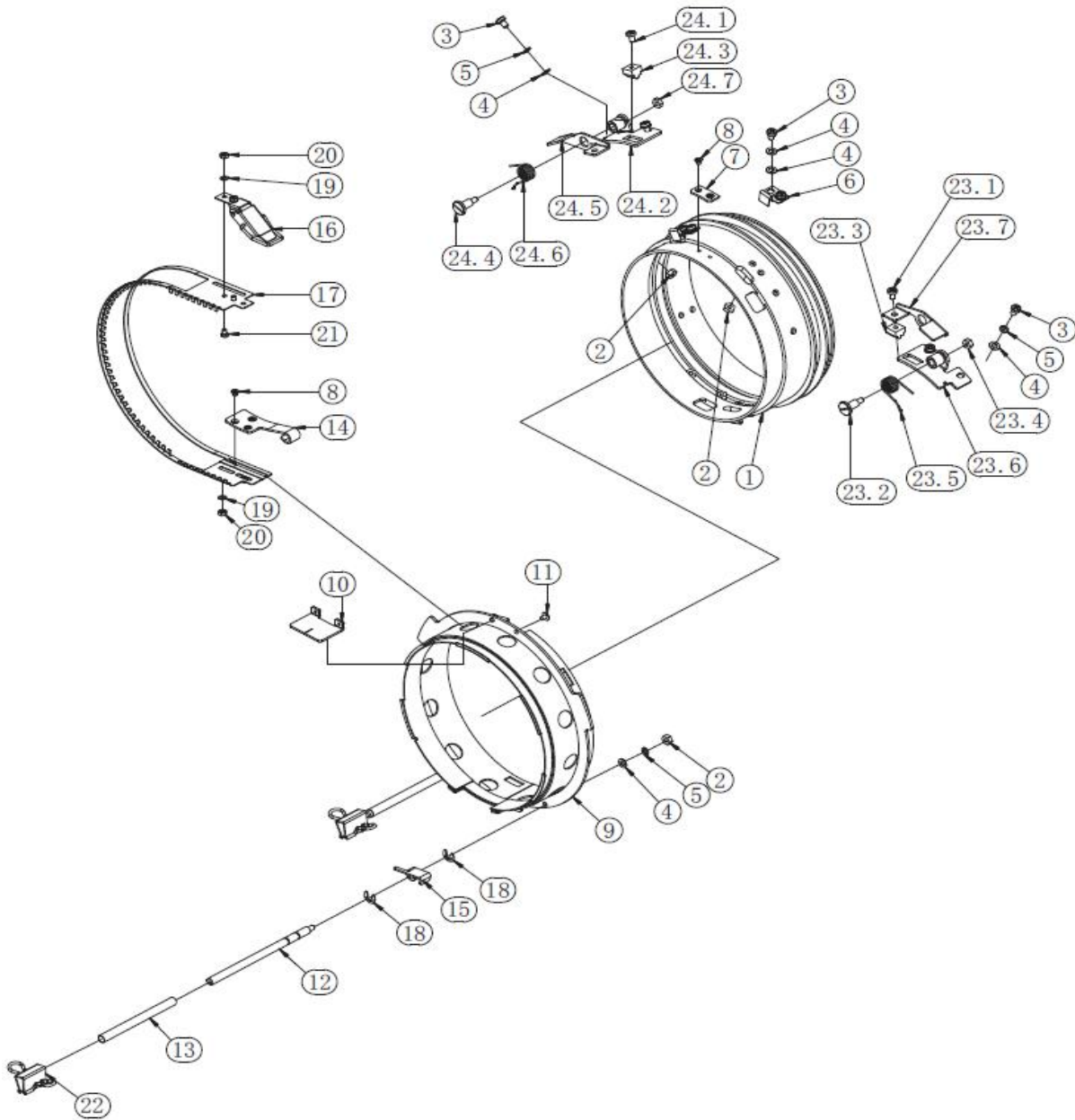
## 17. Cap Frame parts

## 帽驱动组件

序号	零件编号 (P/N)	零件名称	Description	标准 用量	备注
1	103240022	帽架帽圈	Cap tube	1	
2	103240021	帽驱动底板	Cap frame main support	1	
3.1	103240004	偏心销	Pin shaft	1	
3.2	103240031	尼龙滚轮	Trolley	1	
3.3	202010036	轴承MFL2822	Bearing MFL2822	2	
4.1	103240024	导向轮轴	Shaft	2	
4.2	103240023	尼龙棒	Nylon rod	2	
4.3	202010036	轴承MFL2822	Bearing MFL2822	2	
4.4	202010037	轴承MFL2622	Bearing MFL2622	2	
5	103240036	左右支撑加强板	U stand	1	
6.1	103240025	导向支撑左	Support-L	1	
6.2	103240028	导向板调节座	Support plate	2	
6.3	103240029	帽导向板	Minor support plate	2	
7	103240026	导向支撑右	Support-R	1	
8.1	204060001	钢丝	Steel wire	1	
8.2	105150034	马头机驱动板L490	Cap frame support plate	1	
8.3	103240042	驱动滑轮M4*D17T10	Nylon wheel	1	
8.4	103240041	驱动板调节座(28*18*2.5)	Adjustment slider presser plate	1	
8.5	103240039	钢丝涨紧块	Adjustment slider	1	
8.6	103240044	帽驱动板导轨	Plastic bar	1	

18. Cap Stand Frame

帽架



## 18. Cap Stand Frame

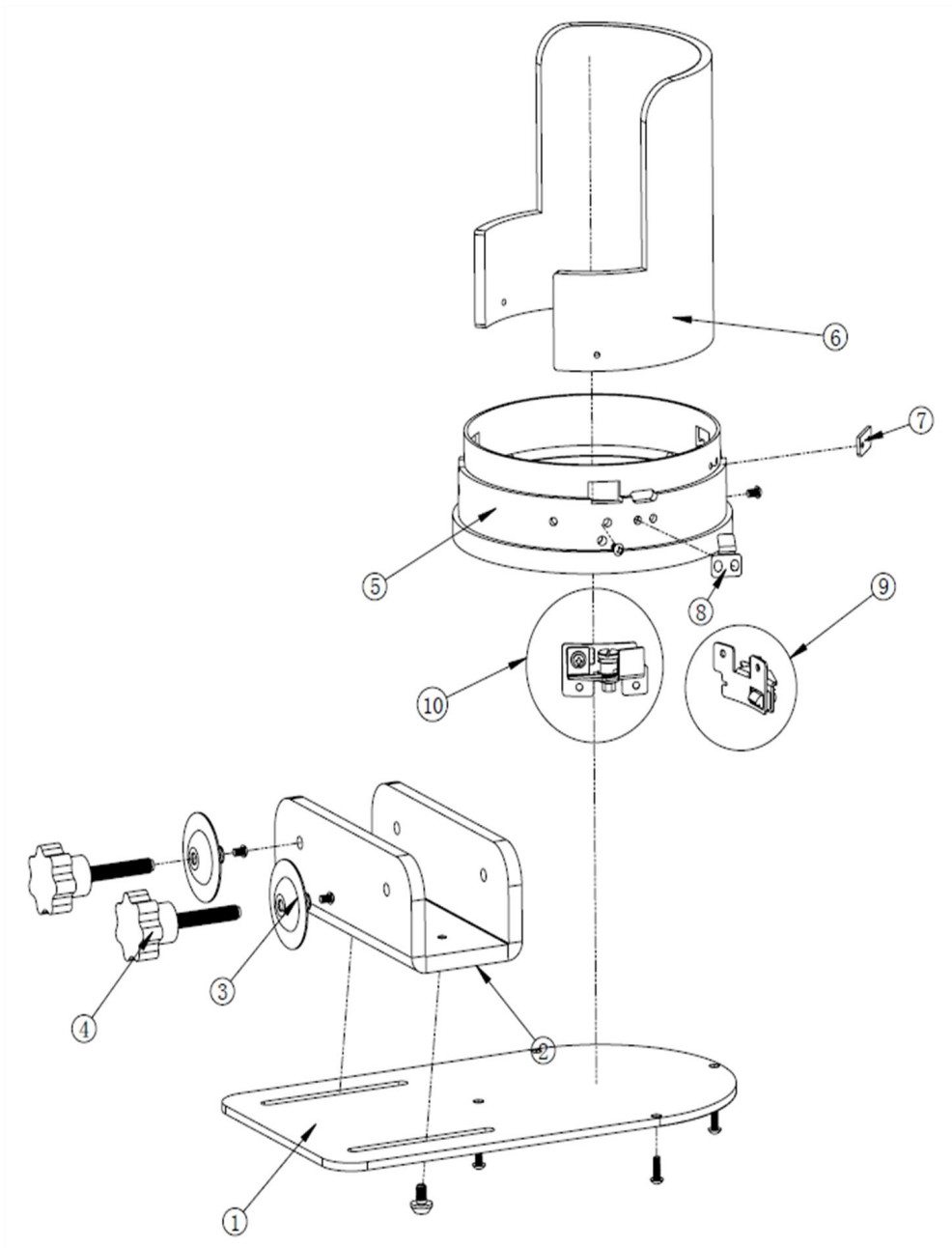
## 帽架

序号	零件编号(P/N)	零件名称	Description	标准用量	备注
1	103240022	帽架帽圈	Cap tube	1	
2	201350422	螺母M4	Nut M4	2	
3	201160406-3	十字槽扁圆头螺钉	Truss head screws M4*6	3	
4	201210410-2	垫圈M4	Washer M4	2	
5	201220410-3	弹垫M4	Spring washer M4	2	
6	103240024	帽圈弹簧片	Shrapnel	3	
7	103240010	帽圈固定块	Positioning block	1	
8	201130304-2	十字槽沉头螺钉M3*	Counterbore screws M3*4	3	
9	103240013	帽圈	Clamp	1	
10	103240016	帽定位板	Shrapnel	1	
11	201460304-1	六角头螺钉M3*4	Hex head cap screws M3*4	2	
12	103240018	帽圈轴	Hat rack strut	2	
13	409070001	帽圈热宿管	Rubber bushing	0.16	
14	103240015	压条活动支架	Lock hook	1	
15	103240020	压条锁紧挂钩	Tie head cap	1	
16	103240017	压条锁扣	Lock	1	
17	103240014	帽圈压条	Cap strapping rod	1	
18	201500508	E型圈-6	E-Ring-6	4	
19	201210410-2	垫圈M4	Washer M4	2	
20	201350322	螺母M3	Nut M3	2	
21	201460304-1	六角头螺钉M3*4	Hex head cap screws M3*4	2	
22	103240018	帽圈夹子	Clip	4	
23	304240006	帽圈卡扣组件A	Cap casing A	1	
23.1	201160406-3	十字槽扁圆头螺钉	Truss head screws M4*6	3	
23.2	103240032	卡扣按钮台阶螺丝	Screw with chucker	1	
23.3	103240035	卡扣固定块	Cap casing	1	
23.4	201350422	螺母M4	Nut M4	9	
23.5	103240033	复位弹簧正	Collet spring	1	
23.6	103240031	料夹片A	Clamp base A	1	
23.7	103240007	料夹片B	Clamp base B	1	
24	304240007	帽圈卡扣组件B	Clamp base B	2	
24.1	201160406-3	十字槽扁圆头螺钉	Truss head screws M4*6	6	
24.2	103240008	料夹片C	Clamp base C	2	
24.3	103240035	卡扣固定块	Cap casing	2	
24.4	103240032	卡扣按钮台阶螺丝	Screw with chucker	2	
24.5	103240038	料夹片D	Cap casing D	2	
24.6	103240034	复位弹簧反	Collet spring	2	
24.7	201350422	螺母M4	Nut M4	4	



19. Cap Frame parts

帽座组件



## 19. Cap Frame parts

## 帽座组件

序号	零件编号 (P/N)	零件名称	Description	标准 用量	备注
1	103240001	帽座底板	Cap frame main support	1	
2	103240003	U形板	U shape plate	1	
3	103240011	帽座手柄A	Handle A	2	
4	103240012	帽座手柄B	Handle B	2	
5	103240005	帽座帽圈	Cap tube	1	
6	103240006	帽檐	Brim of a hat	1	
7	103240010	帽圈固定块	Positioning block	1	
8	103240024	帽圈弹簧片	Shrapnel	3	
9	304240006	帽圈卡扣组件A	Cap casing A	1	
10	304240007	帽圈卡扣组件B	Clamp base B	2	



## 20. Embroidery Frame (Optional Device)

## 大框架及台板

序号	零件编号 (P/N)	零件名称	Description	标准用量	备注
1	105190001	绣框连接板	Large sash frame connection plate	2	
2	201160512-3	十字槽扁圆头螺钉M5*12	Truss head screw M5x12	8	
3	305190001	框架350*500	Sash frame 350*500	1	
	305190002	框架400*600	Sash frame 400*600		
	305190003	框架500*800	Sash frame 500*800		
	305190004	框架500*1200	Sash frame 500*1200		
4	105110019	台板固定块	Table plastic block	2	
5	201160410-3	十字槽沉头螺钉M4*10	Flat head tapping screw M4x16	2	
6	105130003	框架大台板350*500	Sash frame large table	1	
	105130004	框架大台板400*600	Sash frame large table		
	105130005	框架大台板500*800	Sash frame large table		
	105130006	框架大台板500*1200	Sash frame large table		
7	105110018	台板圆垫(台板垫圈)	Table cushion	4	
8	201160416-3	十字槽扁圆头螺钉M4*16	Truss head screw M4x16	2	
9	105110020	台板支撑片	Table support	2	