

# FORTEVER<sup>®</sup>

## 零件书

### SPARE PARTS BOOK

SINGLE HEAD TUBULAR EMBROIDERY MACHINE

M式马头机

Y400

MODEL: FT-1201 FT-1201D

FT-1501 FT-1501D

# SINGLE HEAD TUBULAR EMBROIDERY MACHINE

## M式马头机

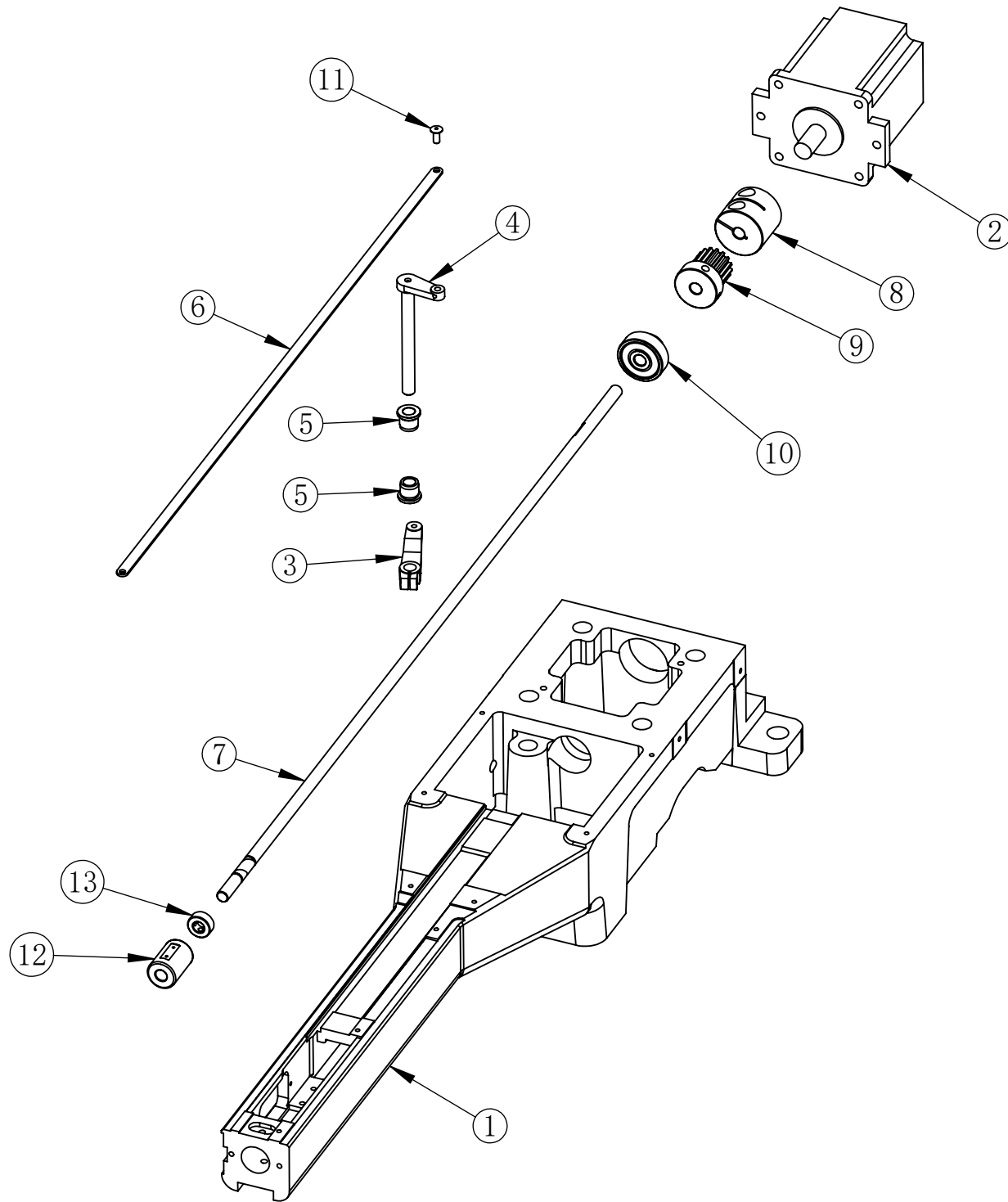
Y400

### C O N T E N T S

### 目 录

1	Rotary Hook Base 梭床	8	Thread Stand 线架
2	Trimming Parts 底线剪线部分	9	Machine Cover 机器罩盖
3	Arm 机头臂	10	Color Change Parts 换色
4	X Axis Guide Rail X向导轨	11	Table 台板
5-1	Y Axis Guide Rail Y向导轨	12	Tension 夹线器
5-2	Y Drive System Y导轨驱动系统	13	Stand 底架
6-1	Arm Motor 机头电机	14	
6-2	Needle Bar Driving Cam Set 针杆驱动块 挑线杆AB	15	
7-1	Needle Bar Case 1 针架1 (普通压脚)	16	Embroidery Frame 花架
7-2	Needle Bar Case 2 针架2 (电机压脚)	17	Cap Frame Parts 帽框组件
7-3	Head Cover Thread Lock 面盖 下过线	18	Cap Stand Frame 帽架

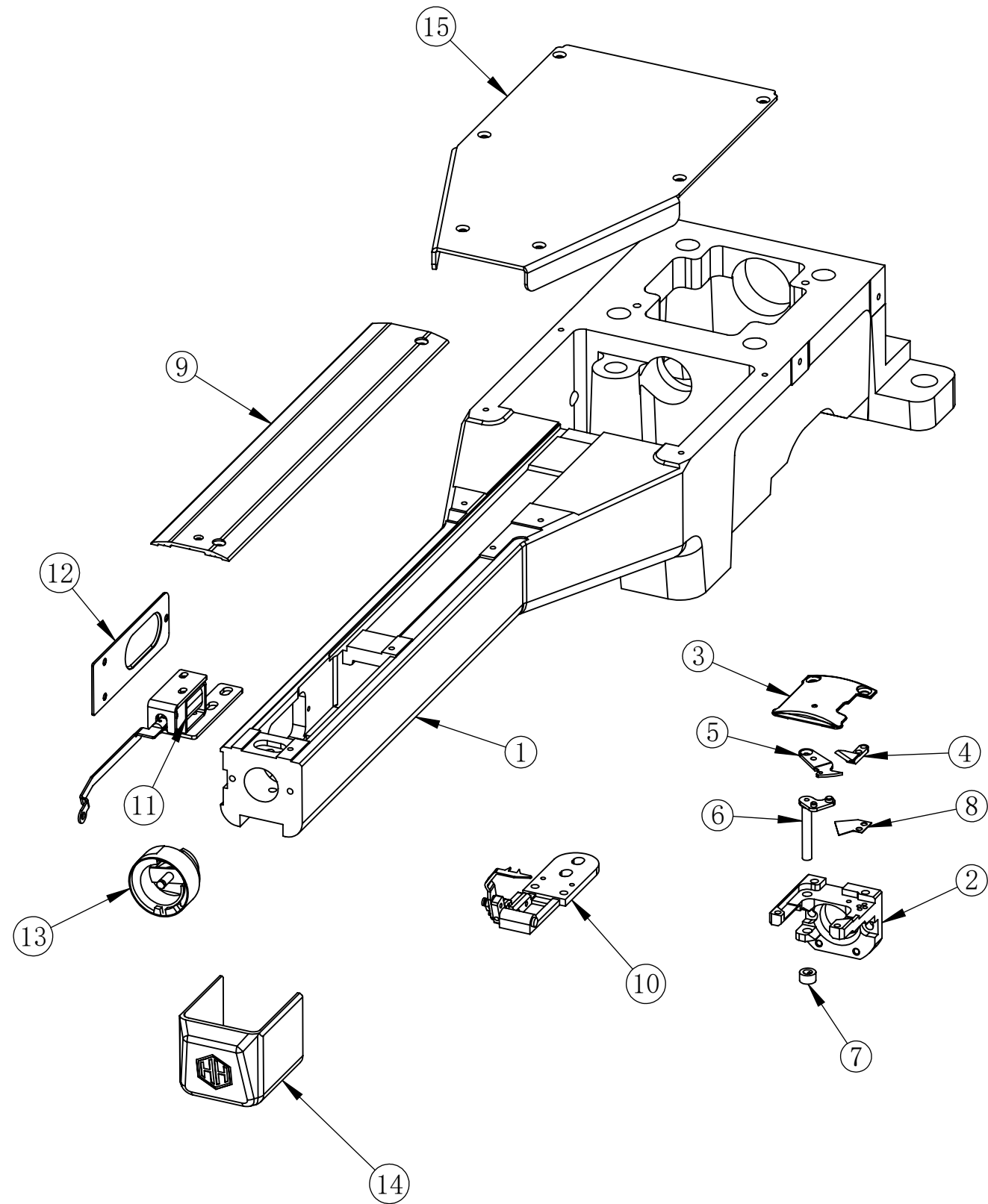
# 1 Rotary Hook Base 梭床



# 1 Rotary Hook Base 梭床

No.	Chinese Description	Description	Part No.	Qty
1	M式马头Y400梭箱	Rotary Hook Base	0105030026	1
2	马头机70主电机	Motor	0206017003	1
3	d8开口剪线连杆	Drive Arm	0103030013	1
4	剪线驱动臂	Thread Trimming Lever	0305070001	1
5	铜套D12-d8	Oiled Bearing	0103030012	2
6	剪线长连接薄板	Trimming Pull Rod	0105070018	1
7	旋梭轴	Rotary Hook Shaft	0105030013	1
8	联轴器D12d7.94	Collar	0105030018	1
9	同步轮 S5M 16T W20	Timing Pulley	0105030015	1
10	联体轴承6201	Bearing	0202010058	1
11	Pin	0106040013	1	
12	旋梭轴套	Bushing	0102030008	1
13	两眼挡圈	Collar	0102030013	1

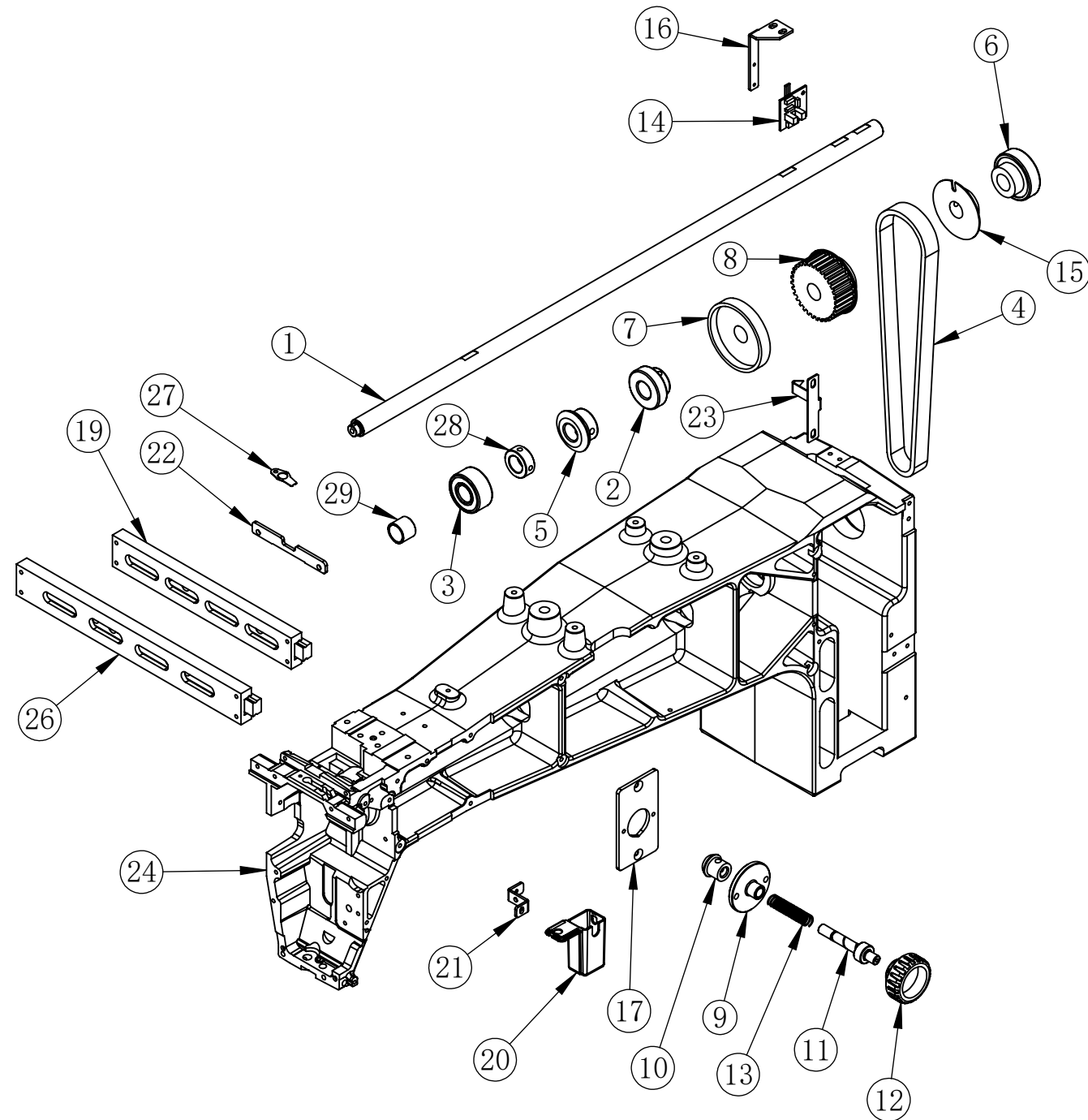
## 2 Trimming Parts 底线剪线



## 2 Trimming Parts 底线剪线

No.	Chinese Description	Description	Part No.	Qty
1	M式马头Y400梭箱	Rotary Hook Base	0105030026	1
2	针板支撑架	Needle Plate Base	0103030036	1
3	弧形针板-多帽机	Needle Plate	0103030034	1
4	定刀	Fixed Knife	0103030018	1
5	动刀	Movable Knife	0103030017	1
6	动刀驱动轴	Movable Knife Drive Arm	0103030015	1
7	动刀轴套	Collar	0103030016	1
8	压片	Under Thread Presser	0103030019	1
9	弧形梭床中盖板	Cover	0105030027	1
10	扣线器底板	Picker Bracket	0103030022	1
11	扣线电磁阀	Picker Solenoid	0206120002	1
12	梭箱左侧盖板	Left Cover	0103030026	1
13	旋梭	Hook		1
14	旋梭塑料护罩	Cover	0103030025	1
15	梭床后盖板	Back Cover	0105030028	1

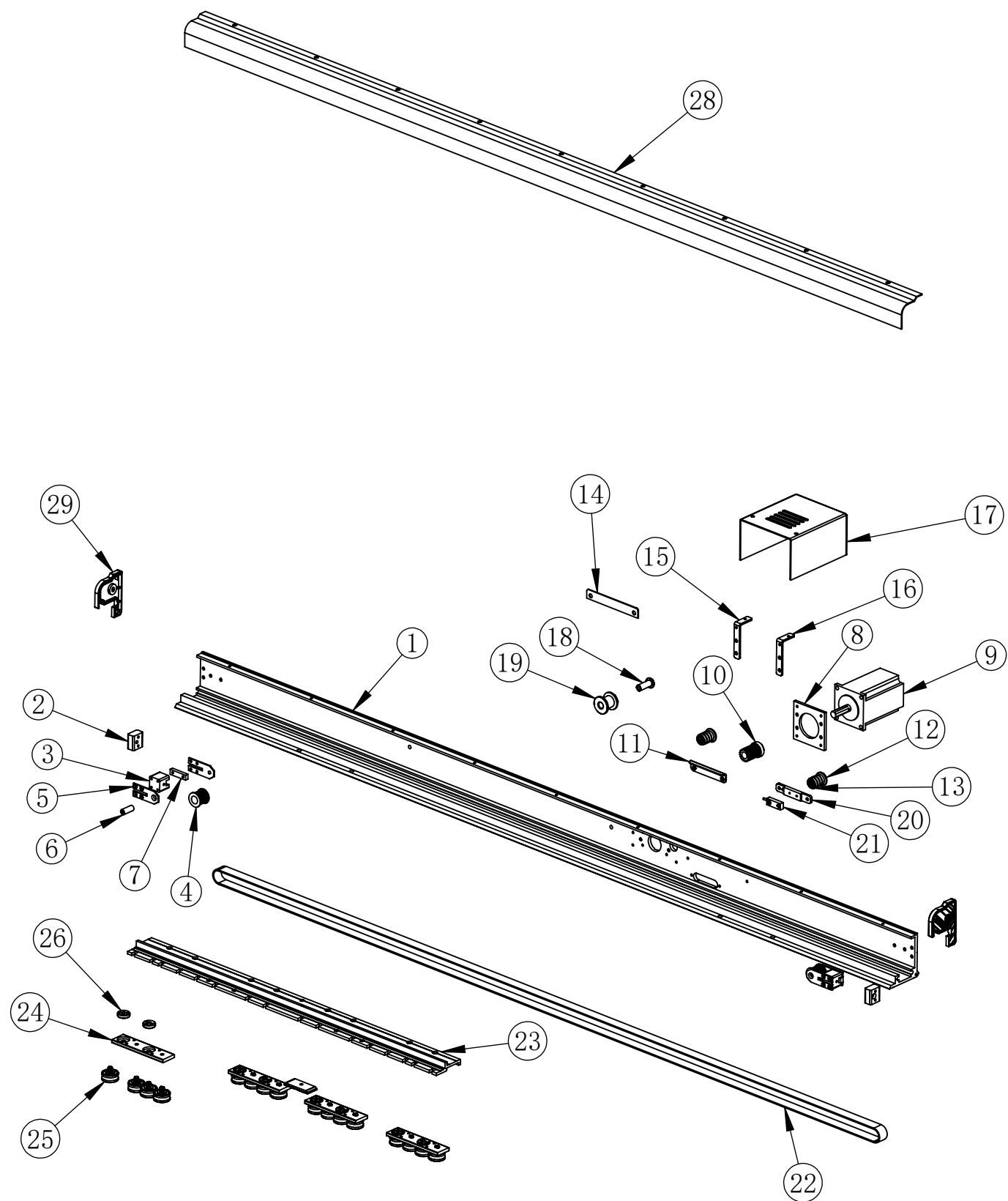
### 3 Arm 机头臂



### 3 Arm 机头臂

No.	Chinese Description	Description	Part No.	Qty
1	马头机Y400上轴 - 压簧挑线	Upper Shaft	0105010070	1
2	联体轴承6003	Bearing	0202010047	1
3	双列轴承3202 D35d15H16	Bearing	0202010057	1
4	同步带 S5M L555 W15	Timing Belt	0204030061	1
5	伞齿轮 大	Lower shaft Gear -A	0102030004	1
6	联体轴承S6004RS d15D42	Bearing	0202010027	1
7	马头机刻度盘	Shaft Dial	0105010009	1
8	同步轮 S5M 32T W20	Timing Pulley	0110010003	1
9	手柄轮座	Handle Bushing	0105010015	1
10	伞齿轮 小	Lower shaft Gear -B	0102030005	1
11	旋梭轴	Shaft	0105010013	1
12	塑料手柄	Adjustment Handle	0105010017	1
13	手柄弹簧	Spring	0105010016	1
14	主轴零位感应板	ZERO Board		1
15	主轴零位感应轮-d15	Zero Postion Disk	0110010017	1
16	马头零位光耦支架	Support	0105010055	1
17	手柄底板	Base Plate	0105010078	1
19	12针嵌装直线导轨	Guide Rail	0105010071	1
20	机头上油杯	Oil Cup	0110010013	1
21	机头油杯支架 - Y400	Support	0105010073	1
22	针架换色导板	Guide Plate	0110010012	1
23	刻度盘指针 - M式马头用	Pointer	0105010074	1
24	M式机头臂 - Y400	Arm	0105010075	1
26	15针嵌装直线导轨 - 马头用	Guide Rail	0105010072	1
27	机头油管压片	Press Slice	0110010016	1
28	上轴定位挡圈	Back Collar	0105010079	1
29	上轴前隔圈	Front Collar	0105010080	1

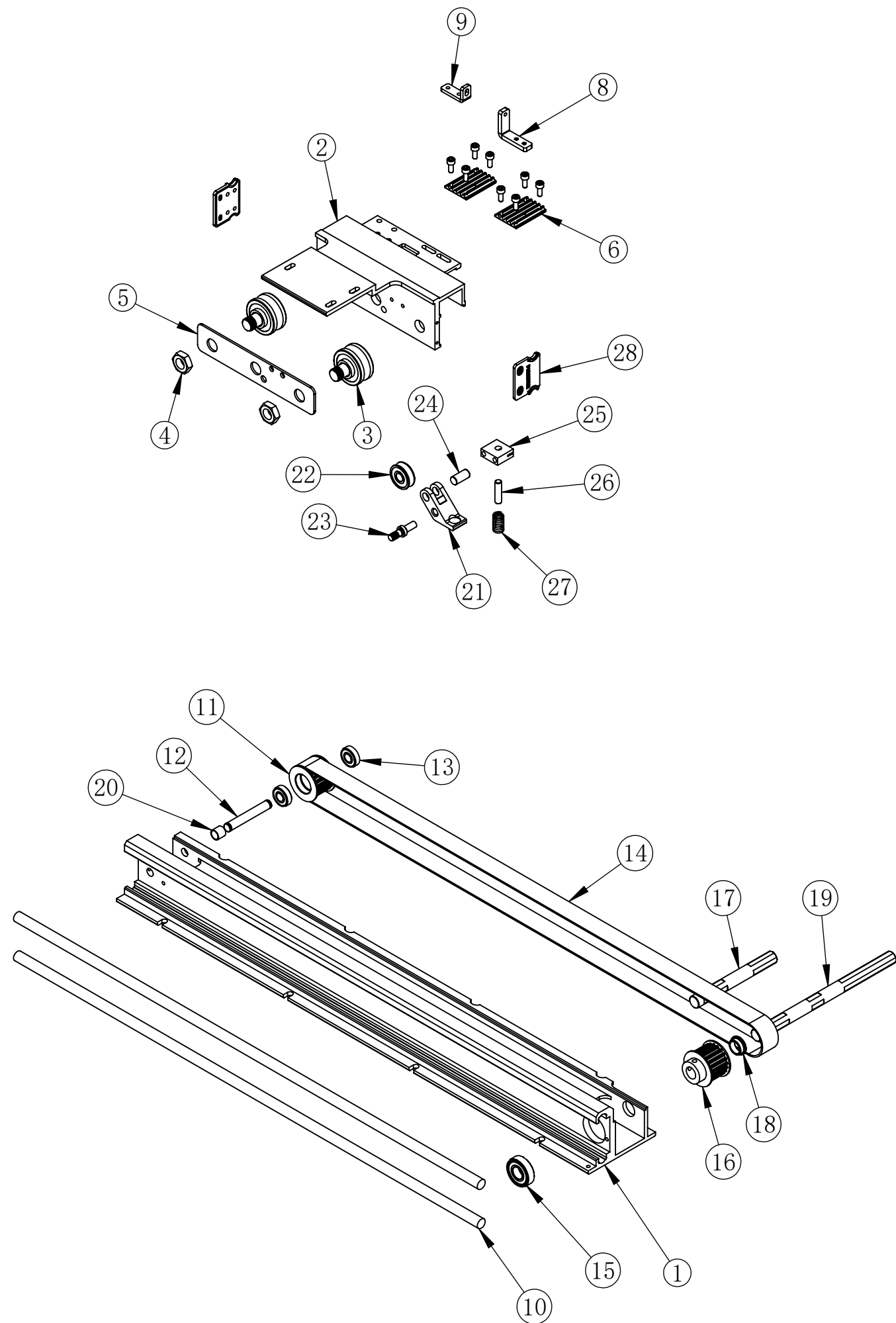
## 4 X Axis Duide Rail X向导轨



## 4 X Axis Duide Rail X向导轨

No.	Chinese Description	Description	Part No.	Qty
1	X1200框底框 - 轴承加大	X Frame	0105150030	1
2	X被动轮调节座	Side Cover Support	0108200004	2
3	X被动轮侧板座H20	Bracket Block	0108200009	2
4	X被动轮S3M20TW20	Timing Pulley	0108200008	2
5	X被动轮侧板	Bracket Plate	0108200005	4
6	X被动轮轴H20	Shaft	0108200007	2
7	X被动轮调节滑块	Adjust Block	0108200006	2
8	电机板	Motor Plate	0105150042	1
9	57步进电机	Step Motor	0206015002	1
10	X主动轮S3M20TW23	Timing Pulley	0105150036	1
11	张紧轴承固定板-钣金	Bearing Bracket Plate	0105150044	1
12	台阶轴承轴D20d8	Shaft	0105150043	2
13	轴承688 D16d8H5	Bearing 688	0202010039	8
14	中置马达罩前片	Plate	0105150047	1
15	支架 - 左 - 中装电机	Cover Bracket L	0105150045	1
16	支架 - 右 - 中装电机	Cover Bracket R	0105150046	1
17	马头X闭环电机罩	Motor Cover	0105150050	1
18	张紧尼龙轮轴-16皮带用	Pin	0105150059	1
19	张紧尼龙轮-16皮带用	Nylon Wheel	0105150060	1
20	马头横框接近感应器底座	Sensor Base	0105150065	1
21	接近感应器	Limit Sensor	0105070001	1
22	开口皮带S3M	Timing Belt	0204030029	1
23	马头驱动横档动板	Moving Plate	0105150068	1
24	动板轴承组底板	Bearing Plate		4
25	U型槽轴承D24H11M6	U Bearing	0202010056	16
26	调节偏心螺母M6	Eccentric Nut	0110150003	8
27	X向皮带压板3MW20	Press Block Up	0105150014	1
28	横档盖子	Cover	0105150025	1
29	塑料侧盖板-圆弧左	Side Cover	0105150066	1
30	塑料侧盖板-圆弧右	Side Cover	0105150067	1

5-1 Y-AXIS Guide Rail Y向导轨

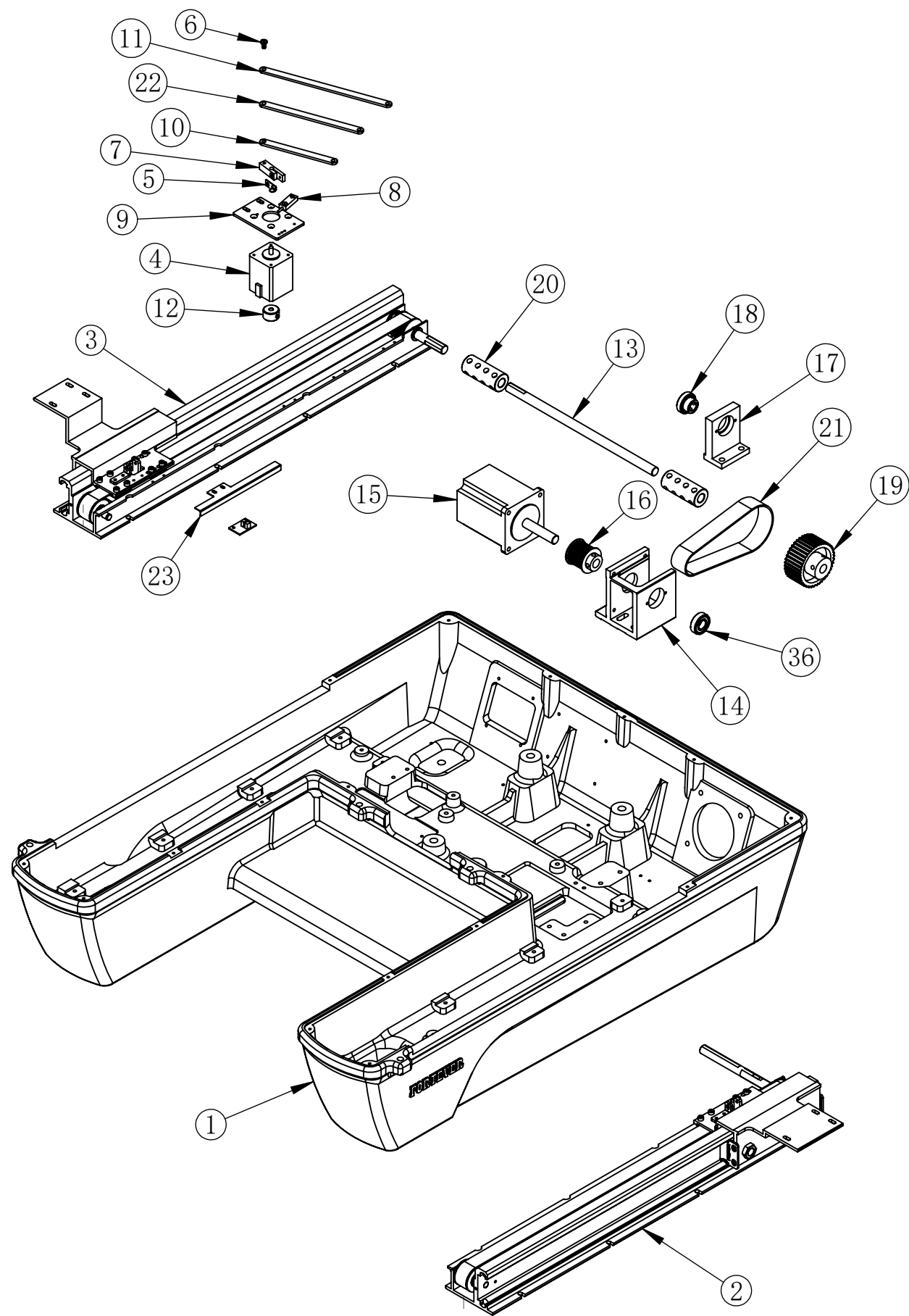


210203

5-1 Y-AXIS Guide Rail Y向导轨

No.	Chinese Description	Description	Part No.	Qty
1	马头Y驱动底座 (侧式)	Y Drive Base	0105150076	1
2	Y驱动轴承扶手-矮型W60	Feed Plate	0105150079	1
3	T型槽轴承	T Bearing	0202010055	2
4	M12薄螺母			2
5	轴承衬板 - 弹性小车	Bearing Plate	0105150083	1
6	齿板 - 带宽25	Belt Plate	0105150084	2
8	张紧板A	Adjust Plate A	0105150085	1
9	张紧板B	Adjust Plate B	0105150086	1
10	Y驱动导向轴D10 - Y400			2
11	Y向被动轮5M20TW20	Pulley	0105150006	1
12	侧式Y向被动轮轴-W20	Pulley Shaft	0105150087	1
13	轴承698	Bearing	0202010016	2
14	开口皮带5M			1
15	轴承6001 D28d12H8	BEARING 6001	0202010001	1
16	Y向主动轮5M20TW20	Pulley	0105150005	1
17	侧式Y向主动轮轴	Pulley Shaft	0105150090	1
18	主动轴挡圈	Collar	0105150090	1
19	侧式Y向主动轮轴 - 长	Pulley Shaft	0105150017	1
20	挡圈H9	Collar	0105150091	1
21	轴承摆臂 - 右 - D24	Bearing Base	0105150092	1
22	轴承SG88-d8H8	Bearing	0202010013	1
23	摆动支点销	Pin	0105150094	1
24	轴承销D8	Bearing Pin	0105150095	1
25	弹簧导向轴座	Spring Pin Base		1
26	弹簧导向轴	Spring Pin		1
27	小车压缩弹簧	Spring	0105150096	1
28	滑块刮泥板	Mudguard	0105150097	2

## 5-2 Y Drive System Y导轨驱动系统

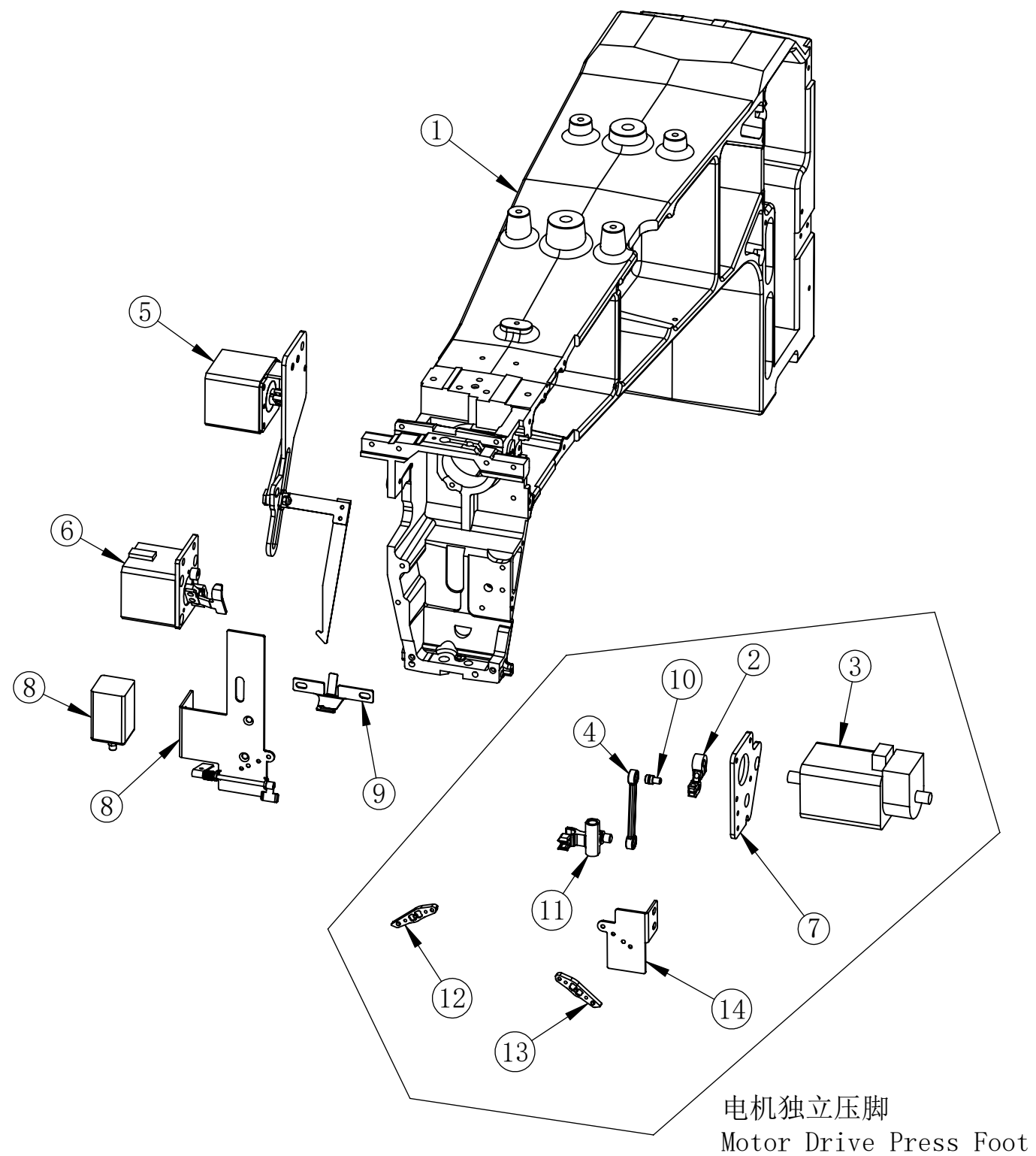


## 5-2 Y Drive System Y导轨驱动系统

No.	Chinese Description	Description	Part No.	Qty
1	马头铝盆Y400	Base	0105110049	1
2	马头Y驱动底座 (侧式)	Y Drive Base	0105150076	1
3	马头Y驱动底座 (侧式) 左 - Y400	Y Drive Base		1
4	42电机 42H53	Cutting Motor	0206014002	1
5	剪线感应片	Sensor Plate	0105070005	1
6	剪线螺丝	Screw Pin	0105070008	1
7	剪线驱动块	Trimming Drive Rod	0105070004	1
8	接近感应器	Limit Sensor	0105070001	1
9	马头42剪线电机安装板	Motor Base	0108070004	1
10	剪线驱动连杆	Connecting Plate	0108070001	1
11	剪线驱动连杆-Y500用	Connecting Plate	0105070003	1
12	电机手动旋钮	Handle	0105040001	1
13	Y驱动轴	Y Shaft	0105150098	1
14	Y70电机座箱	Motor Base	0105150099	1
15	70步进电机	Motor	0206017003	1
16	Y向主动轮5M20TW25	Pulley	0105150056	1
17	轴承座 - Y减速轴	Bearing Base	0105150064	1
18	联体轴承6902 d12D28	Bearing	0202010022	1
19	皮带轮5MW28d12 40T	Pulley	0105150057	1
20	联轴器 d12	Cushing d12	0105150007	2
21	同步带 5M-370-25	Belt	0204030062	1
22	剪线驱动连杆-Y400用	Connecting Plate	0105070003	1



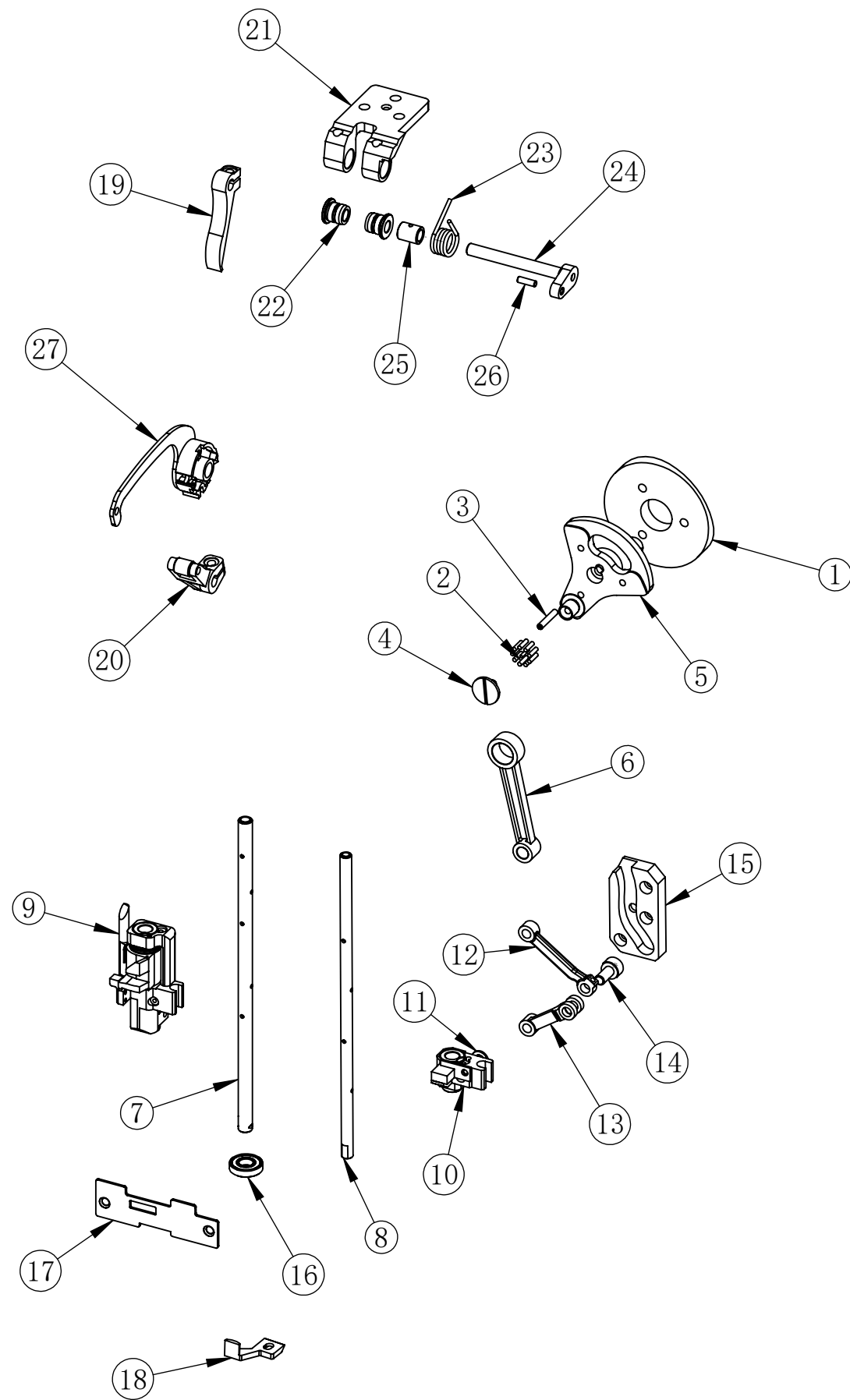
6-1 Arm Motor 机头跳跃勾线面夹压脚电机



6-1 Arm Motor 机头跳跃勾线面夹压脚电机

No.	Chinese Description	Description	Part No.	Qty
1	M式机头臂 - Y400	Arm	0105010075	1
2	马头电机连杆	Motor Drive Lever	0105100001	1
3	独立压脚电机	Motor		1
4	马头提压脚小连杆	Lever	0105100002	1
5	马头勾线器组件	Thread Hook Set		1
6	马头跳跃电机组件	Arm Jumping Set		1
7	马头独压电机安装板	Motor Bracket	0105100003	1
8	拨线叉左装(大)-马头	Upper Thread Lock Drive Set		1
9	勾刀限位勾	Hook Guide	0105040004	1
10	电机连杆销	Pin	0105100005	1
11	马头电独压脚驱动块	Motor Presser Foot Drive Set	0105100006	1
13	导向块	Guide Block	0105100007	2
14	马头前右盖板 - Y400	Cover	0105010081	1

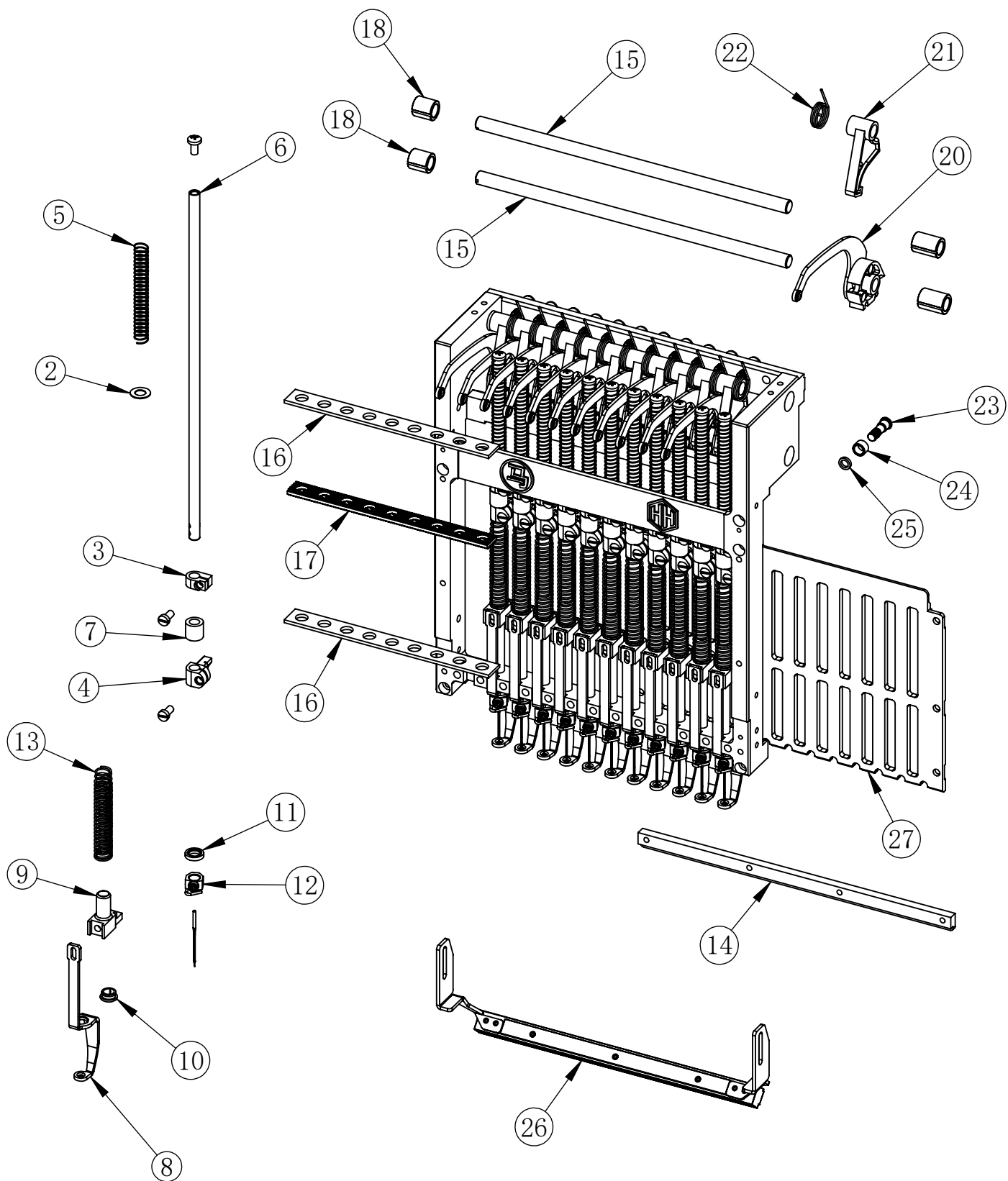
6-2 马头针杆驱动 挑线驱动 Needle Bar Driving Cam Set



6-2 马头针杆驱动 挑线驱动 Needle Bar Driving Cam Set

No.	Chinese Description	Description	Part No.	Qty
1	马头压簧挑线凸轮	Take-Up Cam	0110010021	1
2	保持架滚针轴承 D12d8H7.8	Bearing	0110010043	1
3	齿形开口销D3	Pin	0110010022	1
4	曲轴M4螺丝	Screw	0105010065	1
5	针杆驱动半圆偏心块 - 带销	Arm Cam	0110010018	1
6	马头机大连杆	Big Rod	0110010028	1
7	针杆驱动轴 - M式	Drive Shaft	0105010063	1
8	压脚轴 - M式	Shaft	0105010064	1
9	驱动块 - 侧槽式	Needle Bar Reciprocator	0110010024	1
10	压脚驱动块本体 -侧槽式	Presser Foot Block	0110010025	1
11	压脚块挡边销d5	Pin	0110010026	1
12	侧槽压脚连杆 - 上	Connecting Rod Up	0110010027	1
13	侧槽压脚连杆 - 下	Connecting Rod Do	0110010029	1
14	带销轴承D10d5	Bearing	0110010039	1
15	机头压脚弧槽	PressFoot Cam	0110010040	1
16	轴承D17d7点24	Bearing	0202010004	1
17	机头前下盖板-M式马头	Guide Plate	0105010066	1
18	独立压脚定位勾	Positioning Hook	0105010067	1
19	压簧挑线弧槽驱动臂	Drive Rod	0110010030	1
20	马头压簧挑线杆B	Spring Trestle Rod	0110010031	1
21	挑线臂支点座	Take-up Bar Base	0110010032	1
22	支点轴铜套A	Copper	0110010033	2
23	挑线扭簧	Spring	0110010034	1
24	马头压簧支点轴臂	Thread Trimming Lever	0110010035	1
25	压簧套圈	Spring Collar	0110010036	1
26	销D3	Pin	0110010037	1
27	挑线杆片	TAKE-UP LEVER	0110010038	1

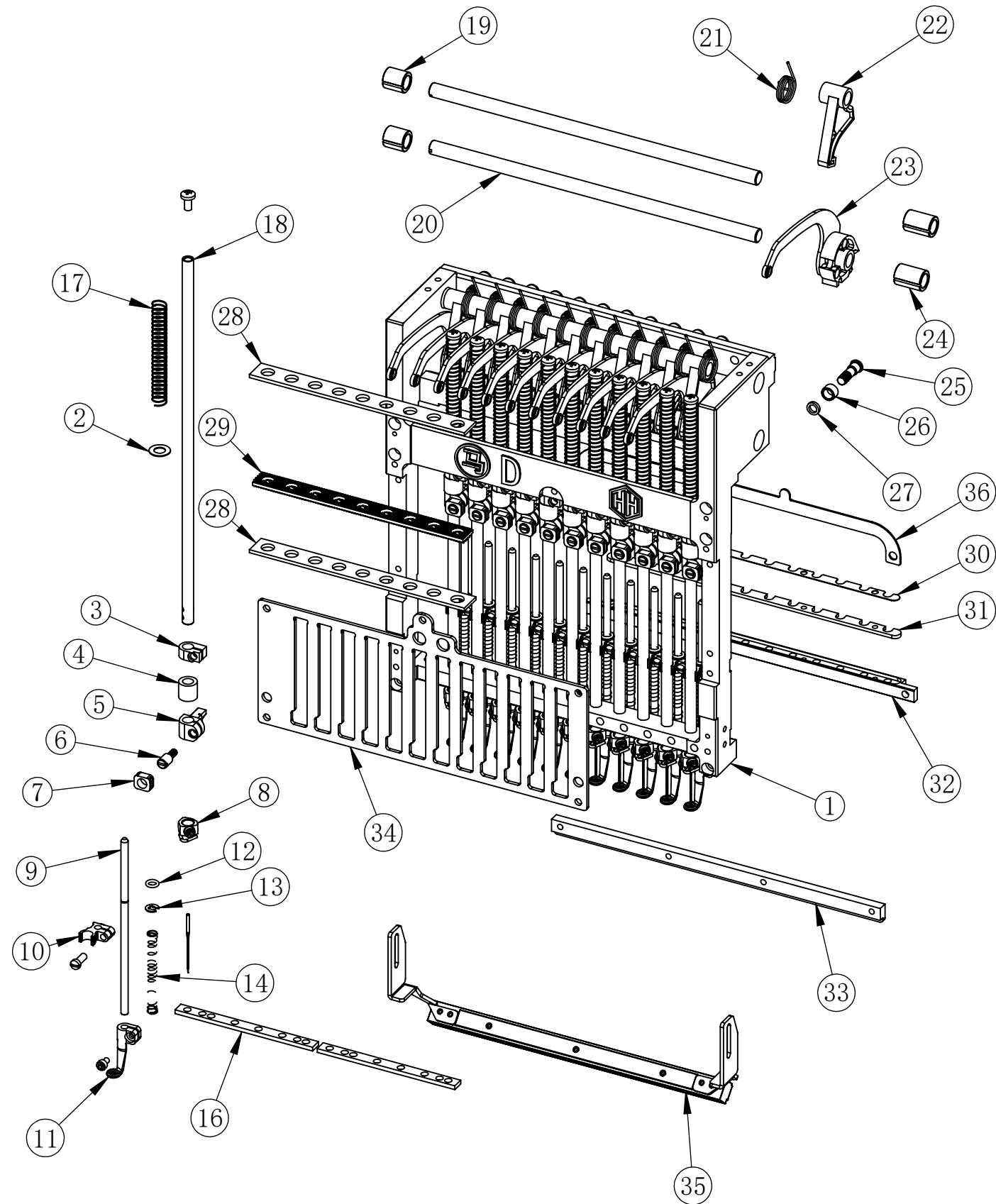
7-1 Needle Bar Case 1 针架1



7-1 Needle Bar Case 1 针架1

No.	Chinese Description	Description	零件号	Qty
1	马头12针针杆架	Needle Case	0105020027	1
2	上弹簧垫片	Washer		12
3	上死点制动件	Stopper Upper Poin	0102020008	12
4	针杆连接销	Connecting Pin	0102020009	12
5	针杆上弹簧	Needle Bar Upper Spring	0102020005	12
6	针杆6.35*237		0102020004	12
7	针杆毛毡圈	Ring	0105100009	12
8	压脚 56	PRESSER FOOT	0102020014	12
9	压脚调节套	Presser Foot Set Clamp	0102020013	12
10	压脚中塑料套	Presser Foot Bushing	0102020012	12
11	压脚下弹圈	Washer	0102020057	12
12	针夹 (连螺钉)	Needle Clamp	0102020016	12
13	加大档马头压脚下弹簧	Press Foot Spring	0105020026	12
14	42电独压12针针架下导轨	Needle Bar Low Guide Rail	0105100021	1
15	挑线杆导向轴 9N	GUIDE SHAFT	0102020035	2
16	下毛毡垫 9N	Felt Packing	0102020015	2
17	麻垫	Damper Ring	0102020007	1
18	针架开口轴衬L12点5	Split Collar	0102020017	2
19	针架开口轴衬L16点5	Split Collar	0102020022	2
20	挑线杆片	Take-Up Lever	0102020019	12
21	挑线杆定位扣	Lever Stopper	0102020032	12
22	自扣弹簧 - 马头	Spring	0105200022	12
23	分段销	Pin	0106010014	12
24	换色滚珠	Collar	0106010013	12
25	垫片	Bushing	0106010015	12
26	毛刷	Thread Holder	0302020007	1
27	12针反转挡板 - M式马头	Baffle	0105020029	1

7-2 Needle Bar Case 2 针架2  
(Motor drive pressure foot)

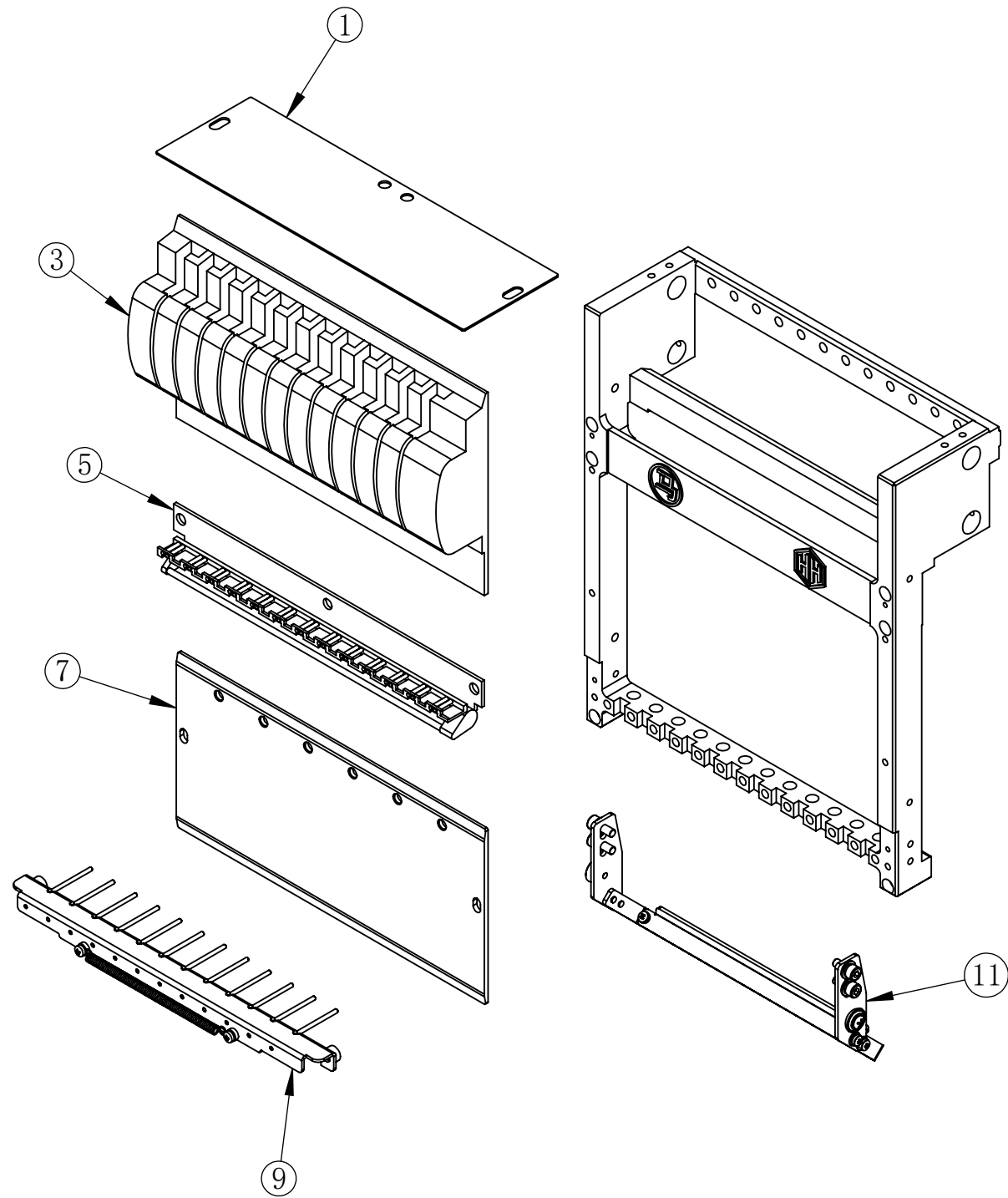


210204

7-2 Needle Bar Case 2 针架2(电机压脚)

No.	Chinese Description	Description	Part No.	Qty
1	马头12针针杆架-电独压	Needle Case	0105100007	1
2	上弹簧垫片	Washer		12
3	上死点制动件	Stopper Upper Poin	0102020008	12
4	针杆毛毡圈	Ring	0105100009	12
5	针杆连接销	Connecting Pin	0102020009	12
6	销前防转螺丝	Guide Screw	0105100010	12
7	前挡板滑块	Sliding Block	0105100011	12
8	独压针夹(连螺钉)	Needle Clamp		12
9	马头电独压压脚杆 - 上卡	Presser Foot Pole	0105100012	12
10	42电独压压脚连接块	Connecting Block	0105100013	12
11	独压压脚	Presser Foot	0105100014	12
12	橡胶圈D6d1.5	Washer	0102020057	12
13	卡簧d3.5	Snap Spring		12
14	压脚复位弹簧	Spring	0105100015	12
16	独压下毛毡	Felt	0105100017	2
17	针杆上弹簧	Needle Bar Upper Spring	0102020005	12
18	针杆6.35*237		0102020004	12
19	针架开口轴衬L12点5	Split Collar	0102020017	2
20	挑线杆导向轴 9N	GUIDE SHAFT	0102020035	2
21	自扣弹簧 - 马头	Spring	0105200022	12
22	挑线杆定位扣	Lever Stopper	0102020032	12
23	挑线杆片	TAKE-UP LEVER	0102020019	12
24	针架开口轴衬L16点5	Split Collar	0102020022	2
25	分段销	Pin	0106010014	12
26	换色滚珠	Collar	0106010013	12
27	垫片	Bushing	0106010015	12
28	下毛毡垫 9N	Felt Packing	0102020015	2
29	麻垫	Damper Ring	0102020007	1
30	压脚杆上毛毡压板 -12针	Felt Pressure Plate	0105100019	1
31	压脚杆上毛毡 -12针	Felt	0105100016	1
32	压脚杆上定位条-12针	Positioning Bar	0105100020	1
33	42电独压12针针架下导轨	Needle Bar Low Guide Rail	0105100021	1
34	12针前防转挡板 - 马头	Needle Bar Guide	0105020025	1
35	毛刷	Thread Holder	0302020007	1
36	上死点后挡板	Back	0105100022	1

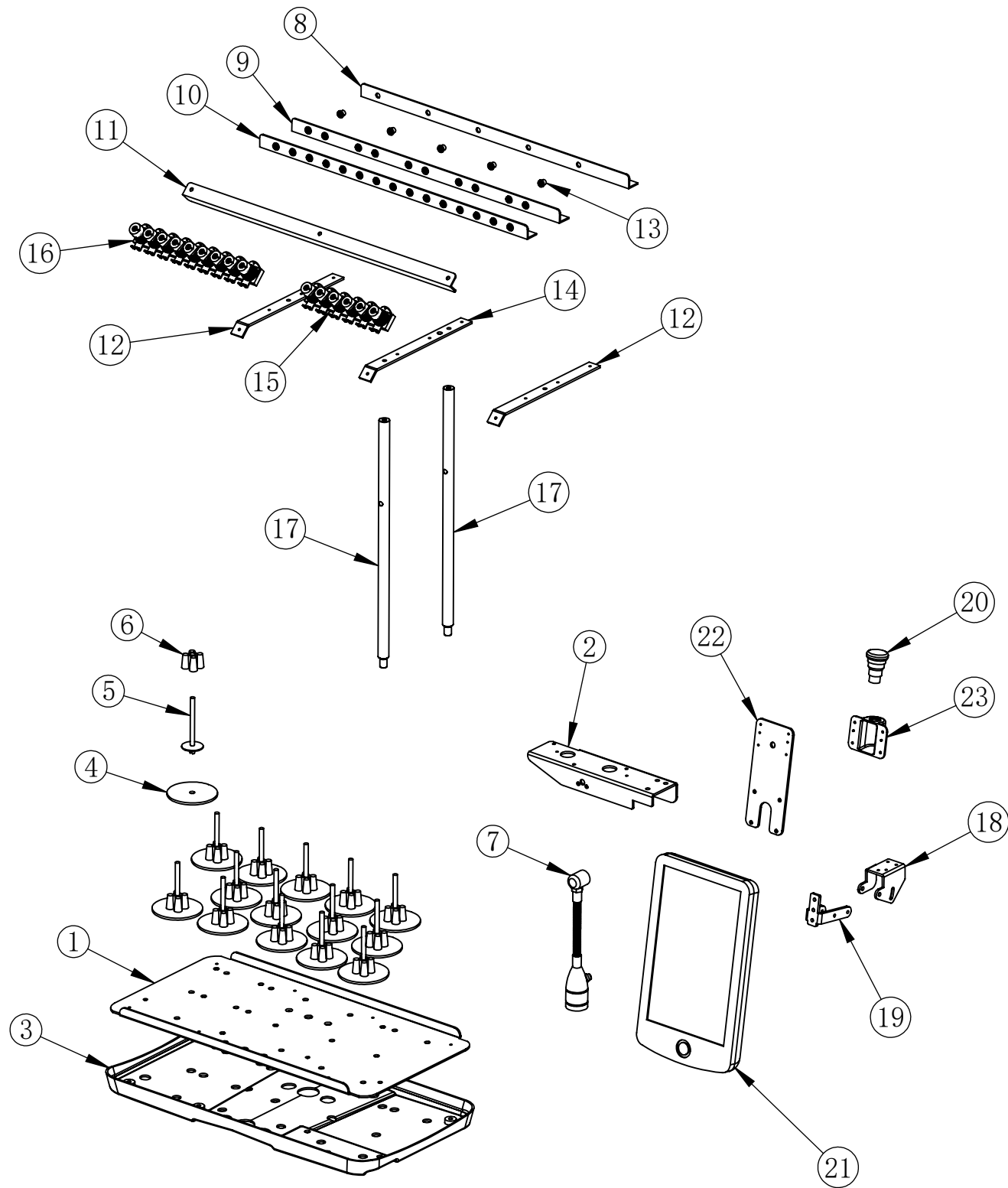
### 7-3 Needle Bar Case 3 针架3



### 7-3 Needle Bar Case 3 针架3

No.	Chinese Description	Description	Part No.	Qty
1	针架上隔板 12N	TOP COVER 12N	0102020055	1
2	针架上隔板 15N	TOP COVER 15N	0102020056	1
3	针架上面板 12N	TAKE-UP LEVER COVER 12N	0102020046	1
4	针架上面板 15N	TAKE-UP LEVER COVER 15N	0102020047	1
5	中过线组件 12N带簧式	MIDDLE THEAD GUIDE 12N	0302020003	1
6	中过线组件 15N带簧式	MIDDLE THEAD GUIDE 15N	0302020004	1
7	针架下面板 12N	UNDER COVER 12N	0105020031	1
8	针架下面板 15N	UNDER COVER 15N	0105020032	1
9	面线架组件 12针 左置	UPPER THREAD LOCK 12N LEFT	0302050005	1
10	面线架组件 15针 左置	UPPER THREAD LOCK 15N LEFT	0302050007	1
11	下毛刷组件 12N	BASEUPPER THREAD HOLDER 12N	0302020007	1
12	下毛刷组件 15N	BASEUPPER THREAD HOLDER 15N	0302020008	1

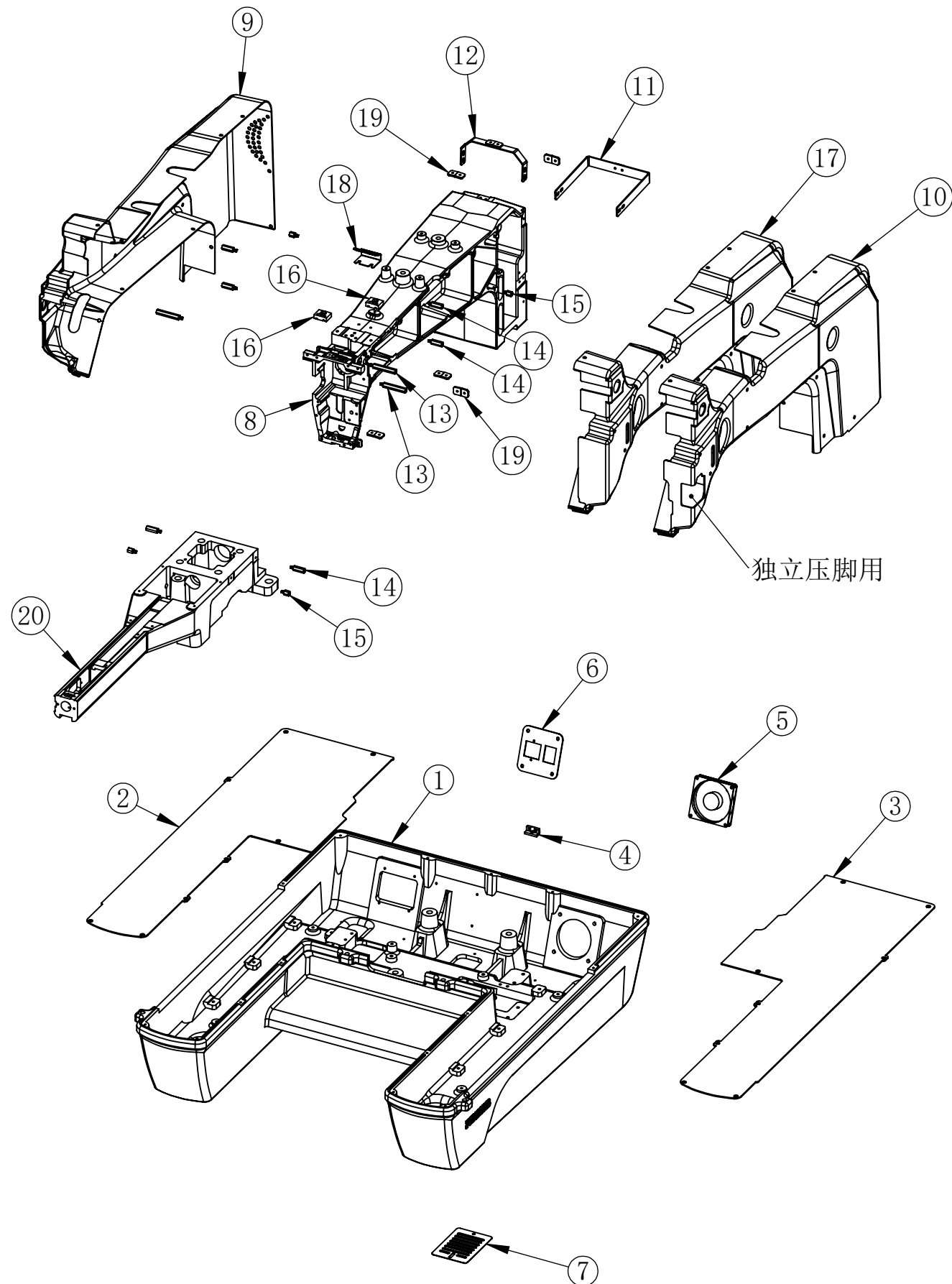
## 8 Thread Stand 线架



## 8 Thread Stand 线架

No.	Chinese Description	Description	Part No.	Qty
1	大马头15针线盘 - M式马头	THREAD STAND PLATE	0105210022	1
2	显示器支架	FACE PLATE BRACKET BASE	0105090011	1
3	马头线盘塑料底座 - 15针	PLASTICS BASE	0105210023	1
4	线团毛毡垫D70	FELT	0201640001	15
5	塑料插线钉	PIN	0201630001	15
6	塑料插线钉膨胀块	BLOCK	0201650001	15
7	LED灯	LED LAMP	0207050001	1
8	15针线架横档1	ALUMINUM STRIP 1	0105210009	1
9	15针线架横档2	ALUMINUM STRIP 2	0105210013	1
10	15针线架横档3	ALUMINUM STRIP 3	0105210017	1
11	15针线架横档4	ALUMINUM STRIP 4	0105210021	1
12	线架横档 - 两边	TAHRED LEAD PLATE	0105210025	2
13	过线瓷套	PORCELAIN SLEEVE		30
14	线架横档	THREAD LEAD PLATE	0105210024	1
15	过线底座	THREAD TENSION SET	0105210027	1
16	过线底座(9)	THREAD TENSION SET	0105210026	1
17	线架立柱	THREAD STAND COLUMN	0104210005	2
18	显示屏后脑支架	FACE PLATE STAND A	0105090002	1
19	显示器后脑支架2	FACE PLATE STAND B	0105090001	1
20	TZ急停开关	EMERGENCY STOP SWITCH	0207060001	1
21	泰智510 10寸屏	RCM OPERATION PANEL		1
22	急停支架板	PLATE	0105090012	1
23	急停开关盒	BOX	0105090013	1

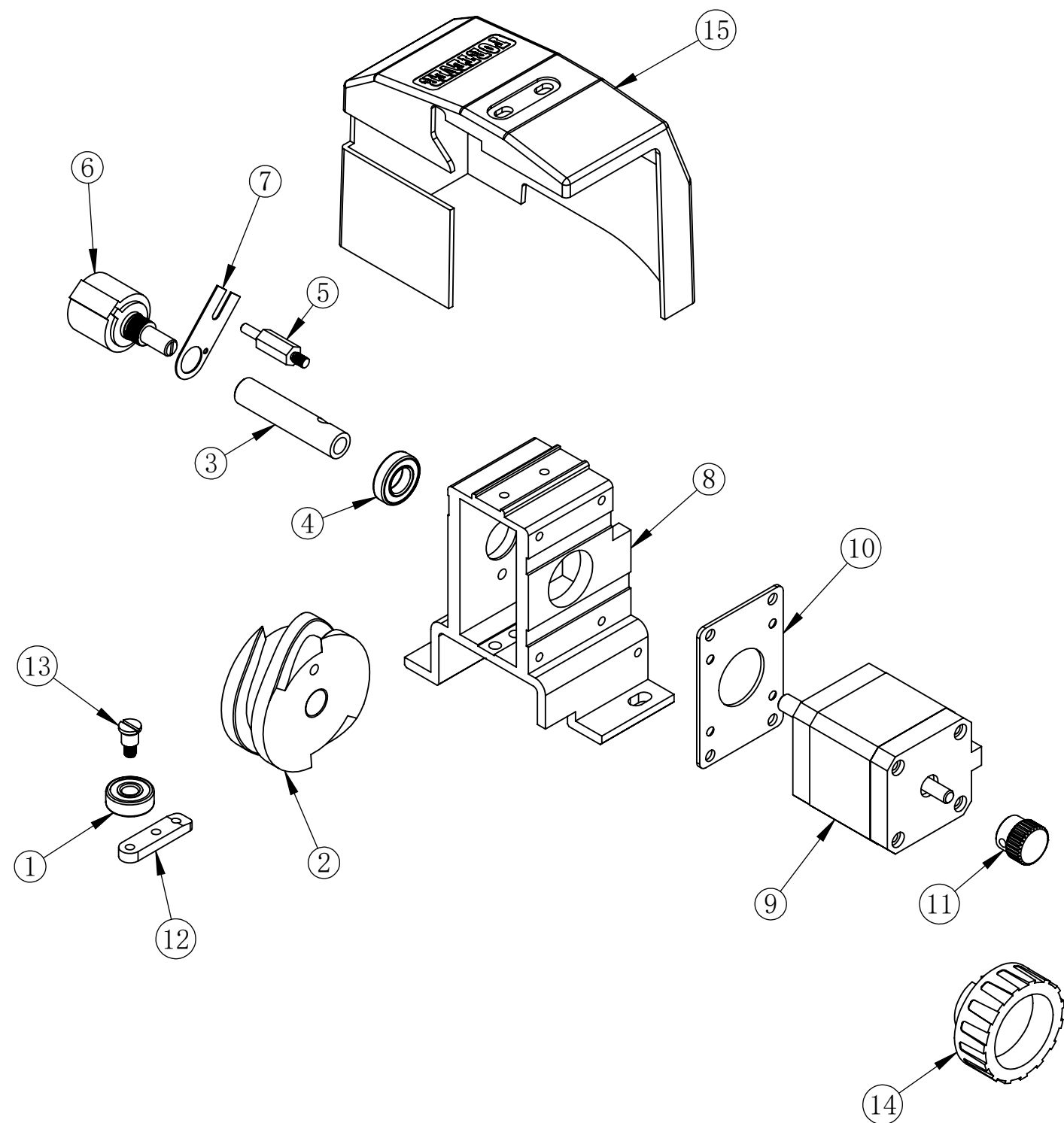
## 9 Machine Cover 机器罩盖



## 9 Machine Cover 机器罩盖

No.	Chinese Description	Description	Part No.	Qty
1	马头铝盆Y400	Base	0105110049	1
2	铝盆上盖板 (左)	Iron Cover	0105110052	1
3	铝盆上盖板 (右)	Iron Cover	0105110053	1
4	吸塑罩盖后下支架	Cover Bracket	0105110060	1
5	风扇 - 8015H	Fan	0207230003	1
6	电源开关板 - R10	Switch Plate	0108260051	1
7	马头底部防尘盖板	Cover	0105110032	1
8	M式机头臂 - Y400	Arm	0105010075	1
9	马头臂吸塑罩盖 (左)	Plastic Cover	0105110065	1
10	马头臂吸塑罩盖 - 独压	Plastic Cover	0105110067	1
11	吸塑罩盖后中支架	Cover Bracket	0105110061	1
12	吸塑罩盖上后支架	Cover Bracket	0105110062	1
13	六角棒H46点5	Fixed Bolt	0105110068	3
14	六角棒H22点5	Fixed Bolt	0105110069	6
15	六角棒H10	Fixed Bolt	0105110069	4
16	吸塑罩盖前上支架	Cover Bracket	0105110063	2
17	马头臂吸塑罩盖 (右)	Plastic Cover	0105110066	1
18	Y400机头壳穿线孔遮孔板	Cover	0105110071	1
19	接缝联结螺纹板	Joint Plate	0105110064	6
20	M式马头Y400梭箱	Rotary Hook Base	0105030026	1

# 10 Color Change Parts 换色

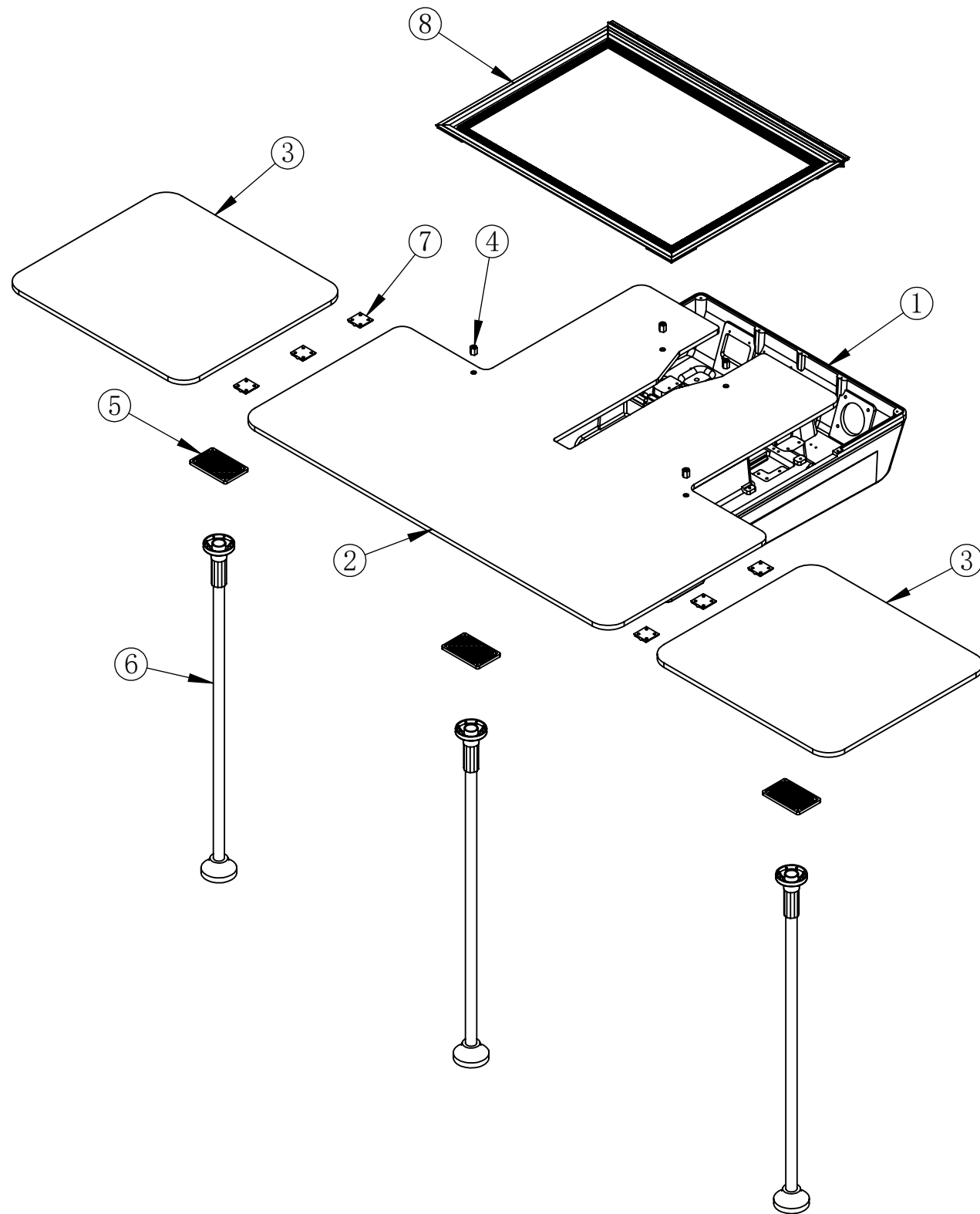


# 10 Color Change Parts 换色

No.	Chinese Description	Description	Part No.	Qty
1	轴承606z	Bearing	0202010012	1
2	换色 凸轮	Cam	0106010002	1
3	电位器铜套	Bushing	0106010018	1
4	轴承6800z	Bearing	0202010011	1
5	电位器螺栓	Fixed Bolt	0106010005	1
6	电位器	Potentiometer	0207020001	1
7	电位器支撑板	Potentiometer Support	0106010020	1
8	换色底座 - 铝型材	Color Change Base	0110010061	1
9	电机 42H47	Motor	0206015015	1
10	42换色电机板	Motor Plate	0110010063	1
11	电机旋钮 - 家用机	Handle	0110010064	1
12	自扣轴承板	Bearing Plate	0110010065	1
13	换色轴承台阶销d6L12	Pin	0106010006	1
14	电机手柄	Handle	0106010007	1
15	马头换色罩盖	Cover	0105080004	1



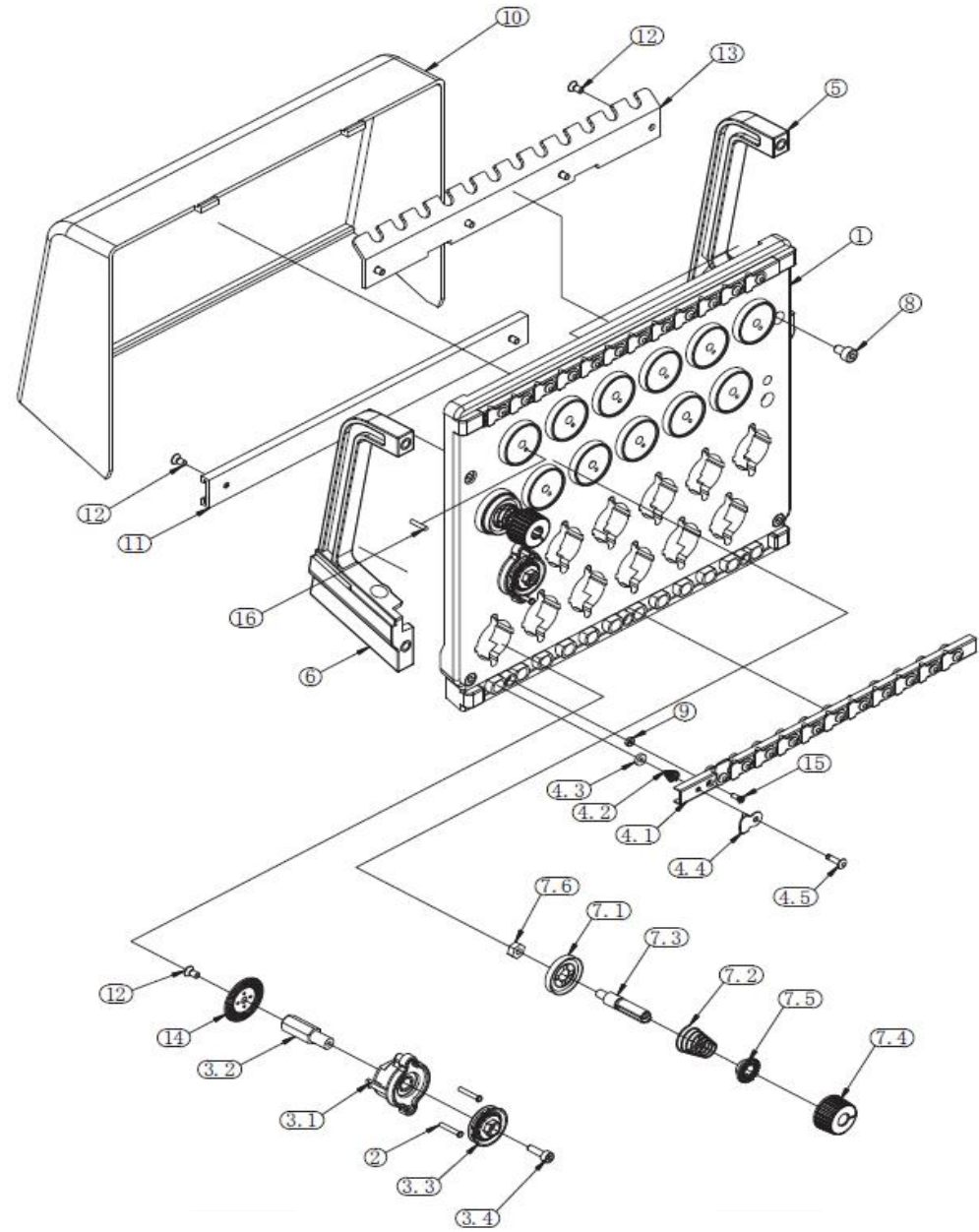
11 Table 台板



11 Table 台板

No.	Chinese Description	Description	Part No.	Qty
1	马头铝盆Y400	Base	0105110049	1
2	M式台板Y400	Table	0105130019	1
3	M式台板400侧边	Table	0105130023	2
4	台板垫高螺柱H18	Mat High Stud	0105140004	4
5	支撑组件 - 上板	Table Support Plate		3
6	支撑组件 - 柱	Table Support	0305140002	3
7	4040合页	Hinge	0105140003	6
8	大框架	Sash Frame		1

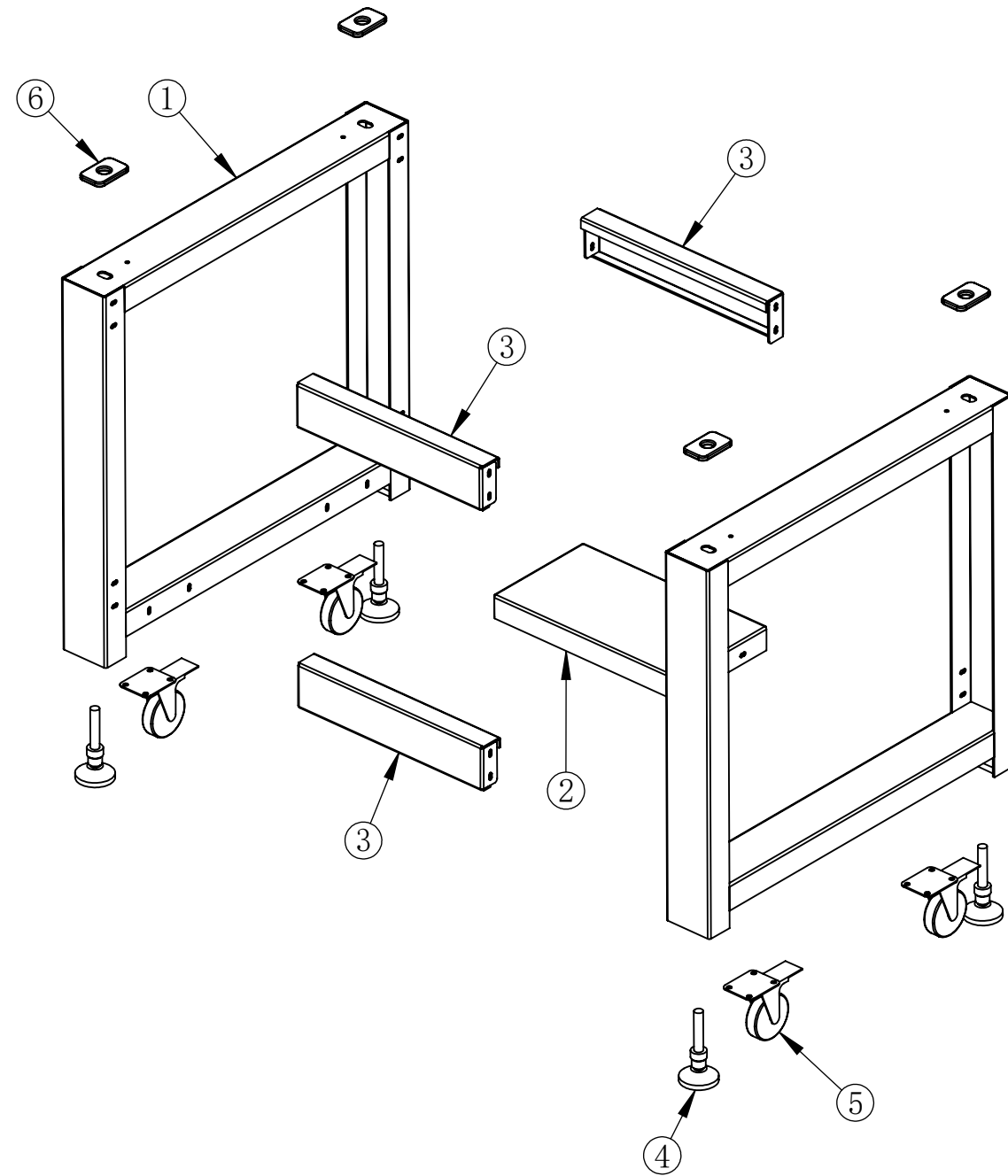
## 12. Thread Tension Base 夹线器组件



## 12. Thread Tension Base 夹线器组件

No.	Chinese Description	Description	Part No.	Qty
12.1	夹线器总成-余美真6针	Thread lead plate-06 For 06-Needle	305060005	1SET/H
	夹线器总成-余美真9针	Thread lead plate-06 For 09-Needle	305060006	
	夹线器总成-余美真12针	Thread lead plate-12 For 12-Needle	305060007	
	夹线器总成-余美真15针	Thread lead plate-15 For 15-Needle	305060008	
12.1	夹线器总成-集美6针	Thread lead plate-06 For 06-Needle	305060001	1SET/H
	夹线器总成-集美9针	Thread lead plate-09 For 09-Needle	305060002	
	夹线器总成-集美12针	Thread lead plate-12 For 12-Needle	305060003	
	夹线器总成-集美15针	Thread lead plate-15 For 15-Needle	305060004	
	夹线器总成-金龙鼎6针	Thread lead plate-06 For 06-Needle	305060005	
	夹线器总成-金龙鼎9针	Thread lead plate-09 For 09-Needle	305060006	
	夹线器总成-金龙鼎12针	Thread lead plate-12 For 12-Needle	305060007	
	夹线器总成-金龙鼎15针	Thread lead plate-15 For 15-Needle	305060008	
	夹线器总成-丹阳6针	Thread lead plate-06 For 06-Needle	305060009	
	夹线器总成-丹阳9针	Thread lead plate-09 For 09-Needle	305060010	
	夹线器总成-丹阳12针	Thread lead plate-12 For 12-Needle	305060011	
	夹线器总成-丹阳15针	Thread lead plate-15 For 15-Needle	305060012	

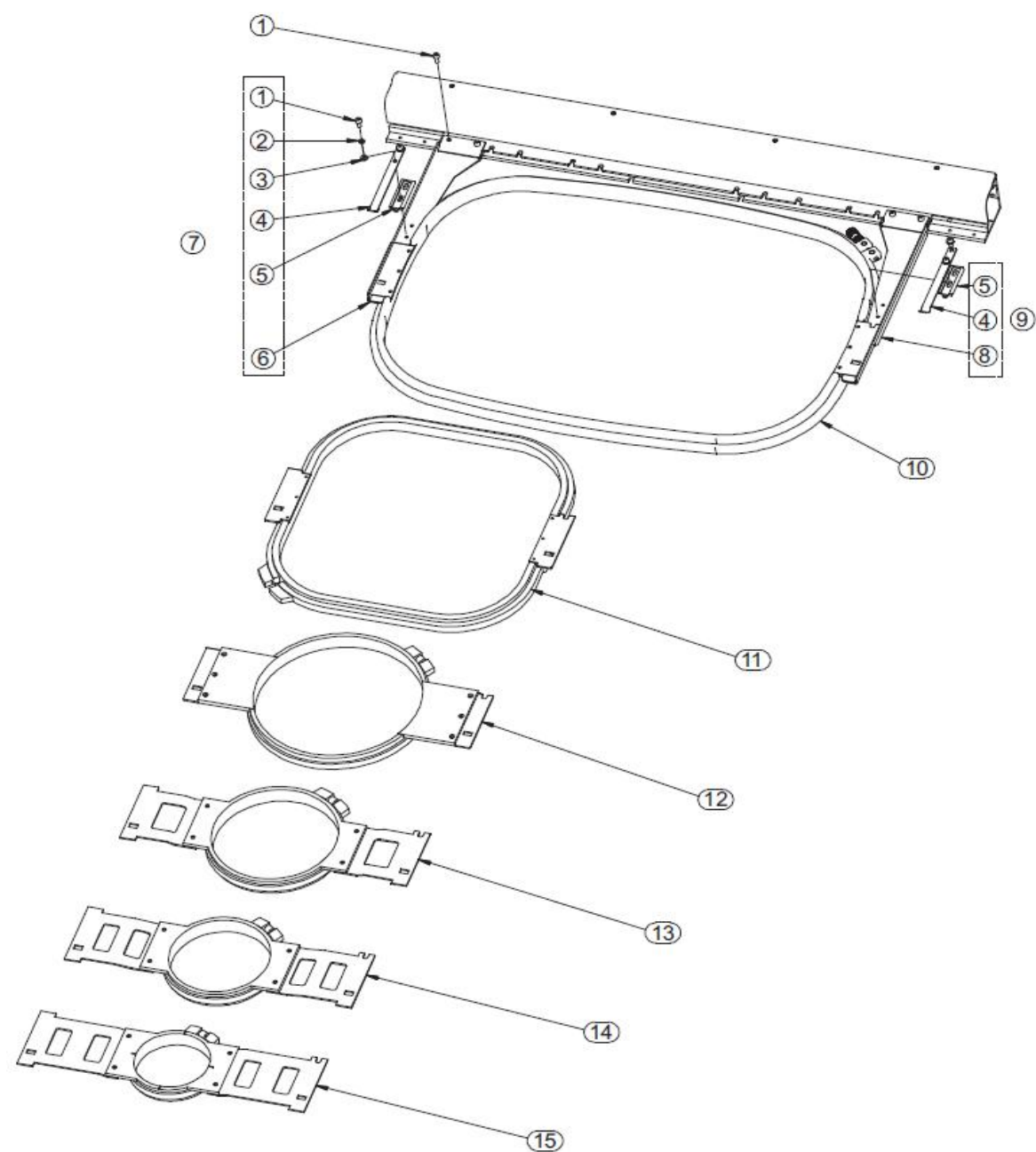
### 13 Stand 底架



### 13 Stand 底架

No.	Chinese Description	Description	Part No.	Qty
1	Y400铁架侧脚	Lateral Support		2
2	下方盘	Plate		1
3	横档	Beam		3
4	机脚调节垫螺丝	Adjust Bolt	0305110001	4
5	脚轮	Casor	0210010007	4
6	橡胶垫	Rubber Mat	0105220018	4

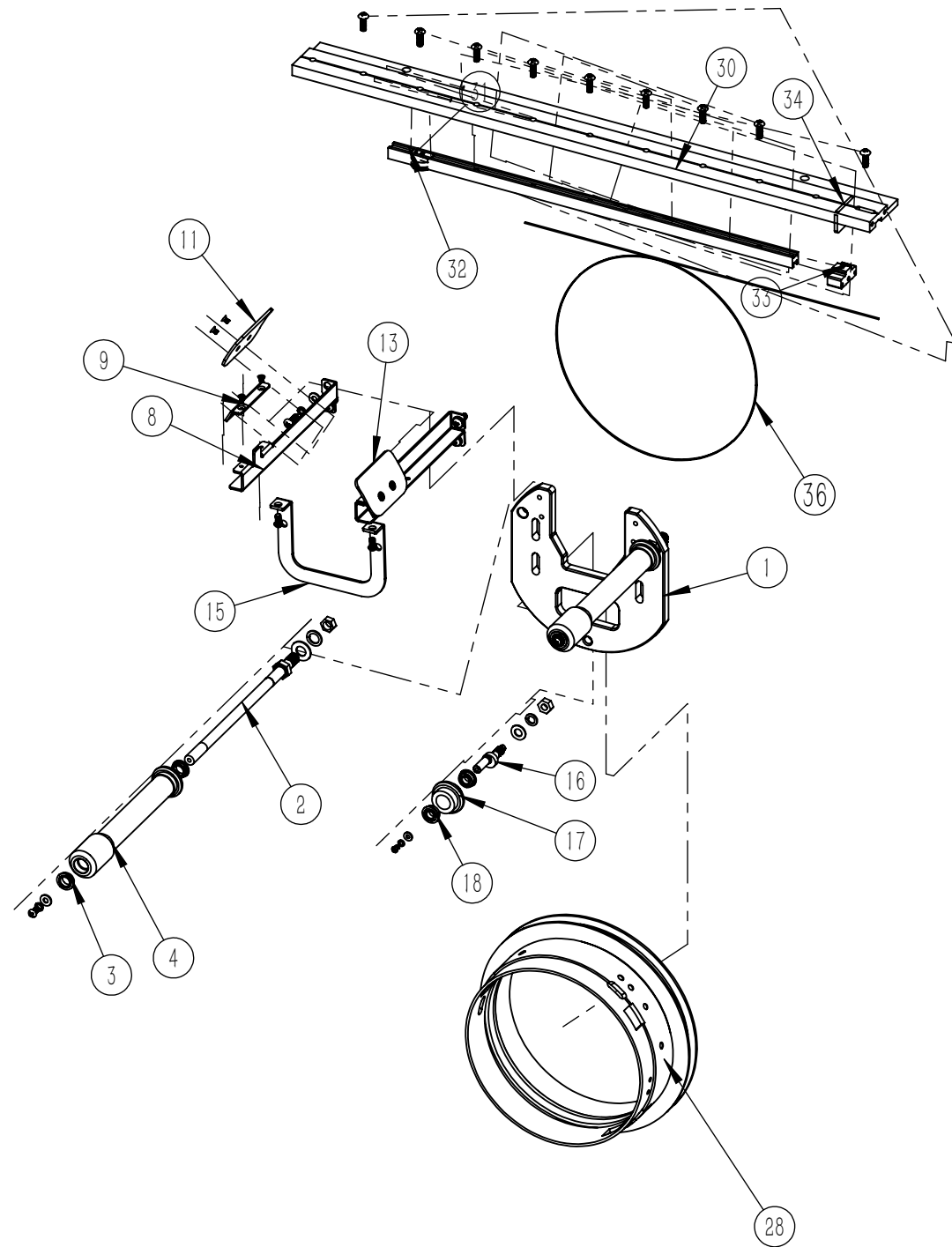
## 16. Embroidery Frame 花架



## 16. Embroidery Frame 花架

No.	Chinese Description	Description	Part No.	Qty
16	台州绿色花架组件(含5个)		305230001	1
	台州灰色花架组件(含5个)		305230002	
16.1	内六角头柱头螺钉M4*10	Hex socket head screw M4*10	201010410-1	4
16.2	弹垫M4	Spring washer M4	201220410-1	4
16.3	垫圈M4	Washer M4	201210410-2	4
16.4	左扶手组件	Frame bracket set-L	305200001	1
16.5	右扶手组件	Frame bracket set-R	305200002	1
16.6	花架540*360	Rectangle frame-540x360	305230006	1
16.7	花架290*290	Rectangle frame-290x290	305230005	1
16.8	花架200	Round frame-200	305230004	1
16.9	花架150	Round frame-150	305230003	1
17	花架120	Round frame-120	305230002	1
17.1	花架90	Round frame-90	305230001	1
17.2	绣框连接板		105190001	1

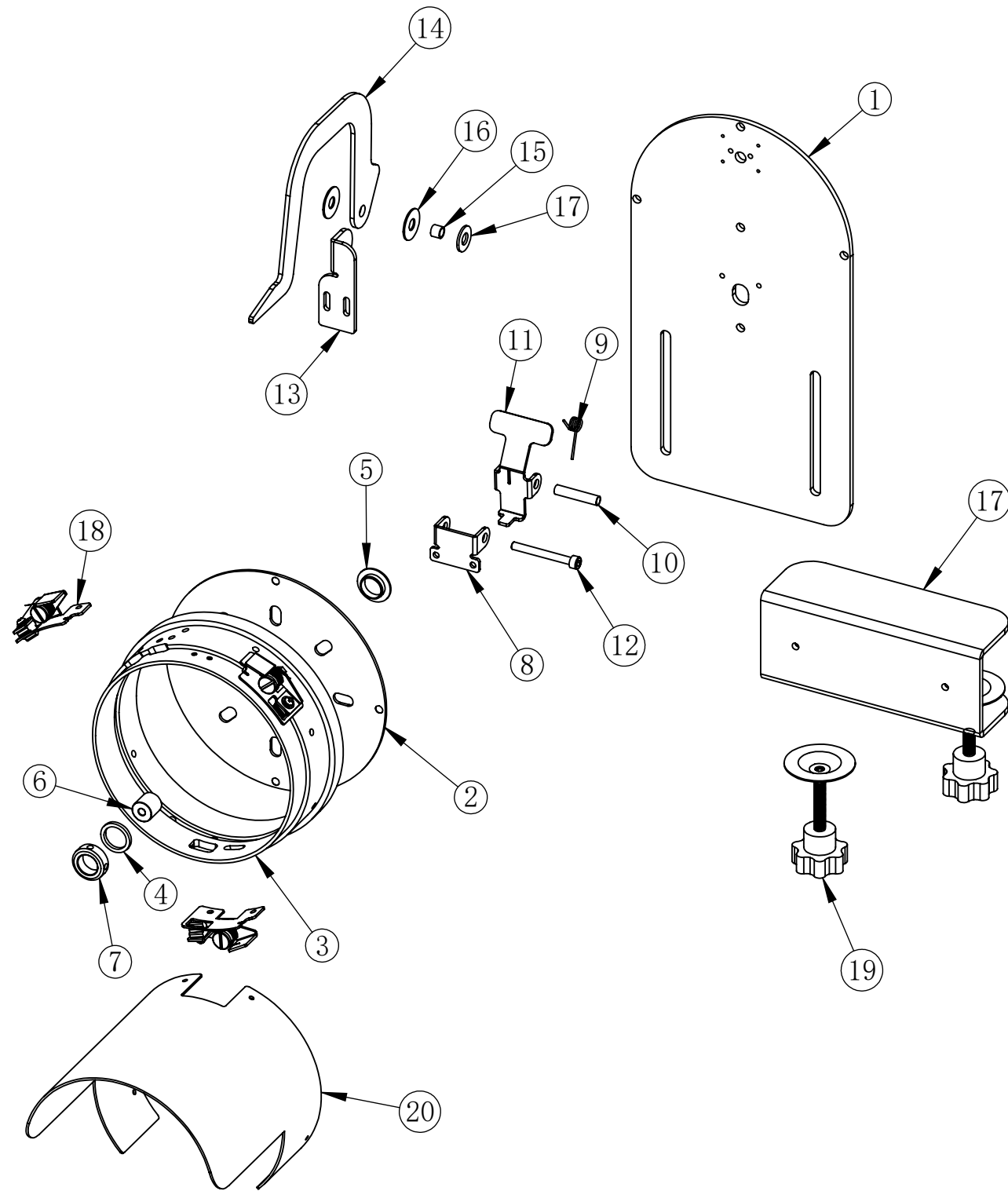
17-1. Cap Frame parts 帽驱动组件



17-1. Cap Frame parts 帽驱动组件

No.	Chinese Description	Description	Part No.	Qty
1	帽驱动底板	Cap frame main support	0103240021	1
2	导向轮轴	Shaft	0103240024	2
3	轴承MFL2622	Bearing MFL2622	0202010037	4
4	尼龙棒	Nylon rod	0103240023	2
8	导向支撑左	Support-L	0103240025	1
9	导向板调节座	Support plate	0103240028	1
11	帽导向板	Minor support plate	0103240029	1
12	导向支撑右	Support-R	0103240026	1
15	左右支撑加强版	U stand	0103240036	1
16	偏心销	Pin shaft	0103240004	1
17	尼龙滚轮	Trolley	0103240031	1
18	轴承MFL2822	Bearing MFL2822	0202010036	2
28	帽圈	Cap tube	0103240022	1
30	马头机驱动板L490	Cap frame support plate	0105150034	1
31	驱动滑轮M4XD17T10	Nylon wheel	0103240042	1
32	帽驱动板导轨	Plastic bar	0103240044	1
33	钢丝张紧块	Adjustment slider	0103240039	1
34	驱动板调节座 (28X18X2.5)	Adjustment slider presser plate	0103240041	1
36	钢丝	Steel wire	0204060001	1

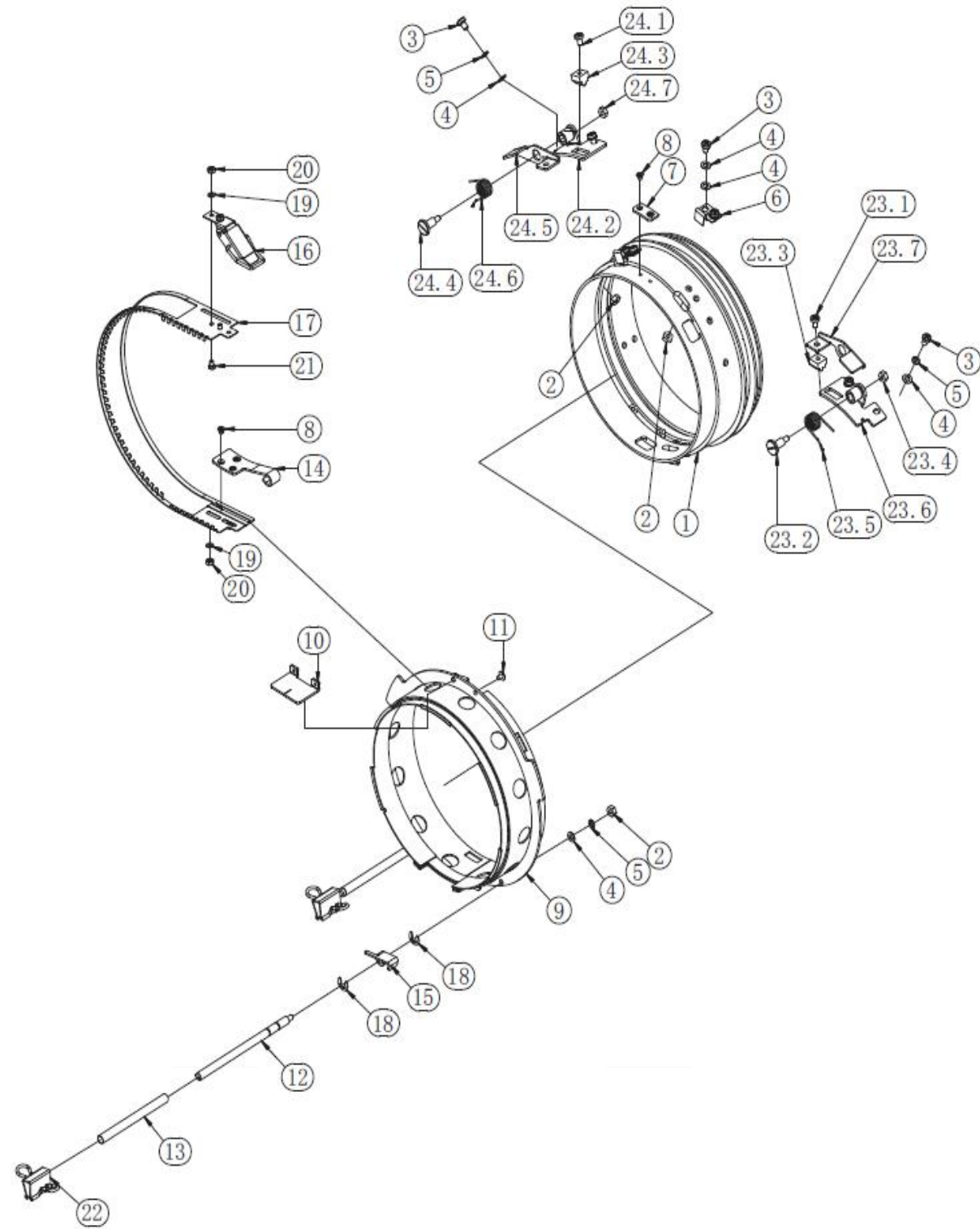
## 17-2 Cap Frame Parts 帽座组件



## 17-2 Cap Frame Parts 帽座组件

No.	Chinese Description	Description	Part No.	Qty
1	帽架支架平板 - 带旋转	Cap Frame Main Su	0110200003	1
2	帽架帽圈后板	Back Palte	0110200004	1
3	帽座帽圈	Cap Tube	0110200005	1
4	轴芯尼龙隔套	Ring	0110200006	1
5	轴芯耐磨衬套	plastics Collar	0110200007	1
6	轴芯 - 旋转	Pin	0110200008	1
7	轴芯挡圈	Collar	0110200009	1
8	扳扣底板	Trigger Base Plate	0110200010	1
9	扳扣扭簧	Trigger Spring	0110200011	1
10	扳扣转轴	Trigger Shaft	0110200012	1
11	扳扣板	Trigger	0110200013	1
12	M5螺丝 - 45半牙	Screw		1
13	对位板底板	Location Base Plate	0110200014	1
14	对位板	Location Plate	0110200015	1
15	对位板空心转轴	Location Shaft	0110200016	1
16	尼龙垫片D22d8H1	Insulation Spacer	0110200017	2
17	帽架支架U板	Support U Plate	0110200019	1
18	料夹片A	Snap		1
19	帽座手柄A	Handle A	103240011	2
20	帽檐	Brim of a hat	103240006	1

## 18. Cap Stand Frame 帽架



## 18. Cap Stand Frame 帽架

No.	Chinese Description	Description	Part No.	Qty
1	帽管	Cap tube		
2	螺母M4	Nut M4		
3	十字槽扁圆头螺钉	Truss head screws M4*6	201160406-3	
4	垫圈M4	Washer M4	201210410-2	
5	弹垫M4	Spring washer M4		
6	弹片	Shrapnel		
7	定位块	Positioning block		
8	十字槽沉头螺钉M3*4	Counterbore screws M3*4	201130304-2	
9	夹	Clamp		
10	定位块	Positioning block		
11	六角头螺钉M3*4	Hex head cap screws M3*4	201460304-1	
12	帽架支柱	Hat rack strut		
13	橡胶衬套	Rubber bushing		
14	锁扣	Tie head cap		
15	锁钩	Lock hook		
16	锁	Lock		
17	夹帽片	Cap strapping rod		
18	E型圈	E-Ring-6		
19	垫圈M4	Washer M4	201210410-2	
20	螺母M3	Nut M3	201350322	
21	六角头螺钉M3*4	Hex head cap screws M3*4	201460304-1	
22	夹子	Clip		
23	帽盖组件A	Cap casing A		
23.1	十字槽扁圆头螺钉	Truss head screws M4*6	201160406-3	
23.2	带卡盘螺丝	Screw with chucker		
23.3	帽盖A	Cap casing		
23.4	螺母M4	Nut M4	201350422	
23.5	收宿弹簧	Collet spring		
23.6	夹座	Clamp base		
23.7	夹座A	Clamp base A		
24	夹座B	Clamp base B		
24.1	十字槽扁圆头螺钉	Truss head screws M4*6	201160406-3	
24.2	夹座B	Clamp base B		
24.3	帽盖组件	Cap casing		
24.4	带卡盘螺丝	Screw with chucker		
24.5	帽盖B	Cap casingB		
24.6	收宿弹簧B	Collet spring B		
24.7	螺母M4	Nut M4	201350422	